

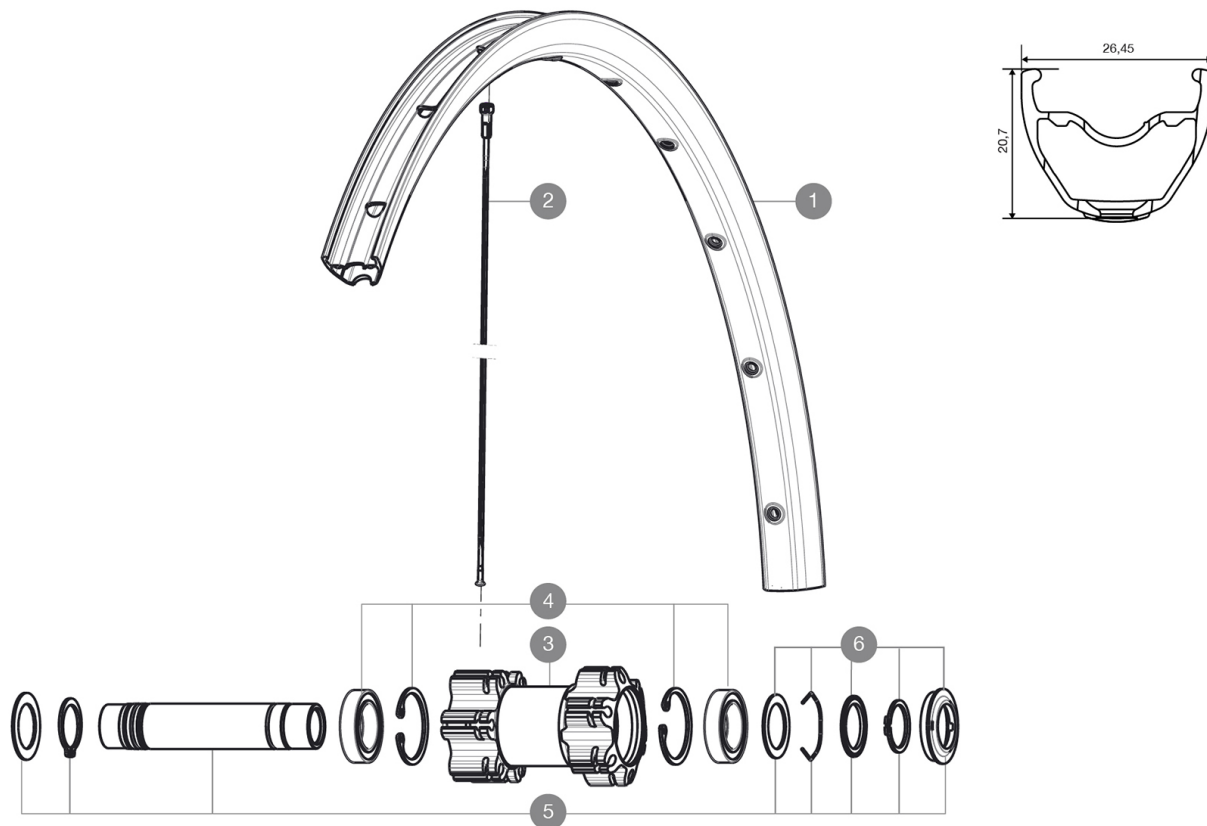
ASTM CATEGORY 3 : offroad with jumps less than 61cm

For a longer longevity of the wheel, Mavic recommends that the total weight supported by the wheels doesn't exceed 120kg, bike included

参照ホイール

F71541 XrdLight27.5Ft Boost WTS

F36901 Xride Light27.5Ft WTS



RIMS



バルブ穴径 (MM) : 8,5 WITH POP OFF REDUCER :

1	V2314515	RIM CROSSRIDE LIGHT 27,5
---	----------	--------------------------

SPOKES

2	V2381801	12 FRT + REAR NON-DRIVE SIDE SPOKES 277mm CROSSRIDE LIGHT 27
---	----------	--


HUB SHELLS

3	N/A	HUB BODY
4	99688501	BEARING KIT 9/15 D6T HUB
5	V2370101	KIT FRONT AXLE 15MM CROSSONE/-RIDE/-ROC - while stock last
5	V2371101	KIT FRONT QRM AXLE 100mm/BOOST 110mm
6	V2370301	FRONT AUTO ADJUST.PLAY KIT 15MM AXLE

MAVIC

Crossride Light WTS 27.5

付属品

Rim tape	
Rear 12x142mm adapters	
User guide	
Rear 12x142mm adapters for ITS4 and TS2 (308 593 01 for ITS4, 329 650 01 for TS2) 1	
Rim tape	
User guide	

COMPATIBILITY

Freewheel: Shimano/Sram, convertible to XD with optional driver body	
Front axle: convertible from 15mm thru axle to Quick Release with optional adapters	
Rear axle: 12mm thru axle, convertible to Quick Release with optional adapters	

Specifications

リム

- Joint : sleeved
- Drilling : traditional
- Disc brake specific profile
- Valve hole diameter : 8,5 mm with pop off reducer
- Tyre : tubetype
- Internal width : 21 mm
- ETRTO size 26" : 559x21C
- ETRTO size 27.5" : 584x21C
- ETRTO size 29" : 622x21C
- Joint : sleeved
- Drilling : traditional
- Disc brake specific profile
- Valve hole diameter : 8,5 mm with pop off reducer
- Tyre : tubetype
- Internal width : 21 mm
- ETRTO size 26" : 559x21C
- ETRTO size 27.5" : 584x21C
- ETRTO size 29" : 622x21C

スポーク

- Material : steel
- Shape : straight pull, bladed, double butted
- Nipples : brass, ABS
- Count : 24 front and rear
- Material : steel
- Lacing : front and rear crossed 2
- Shape : straight pull, bladed, double butted
- Nipples : steel, ABS
- Count : 24 front and rear
- Lacing : front and rear crossed 2

ホイールハブ

- Freewheel : TS-2 alloy
- Front and rear bodies : aluminum
- Freewheel : TS-2 alloy

VERSIONS

- Color : Black only
- Disc standard : 6 Bolts only
- Hub width : Boost (front 110, rear 148) or Non-Boost (front 100, rear 135/142)

ホイールの重み

- ホイール重量 (クイックリリースおよびクリンチャー/チューブラーを除く) (g) :
- Weight Front 26" : 850
 - Weight Front 27.5" : 880
 - Weight Front 29" : 930