

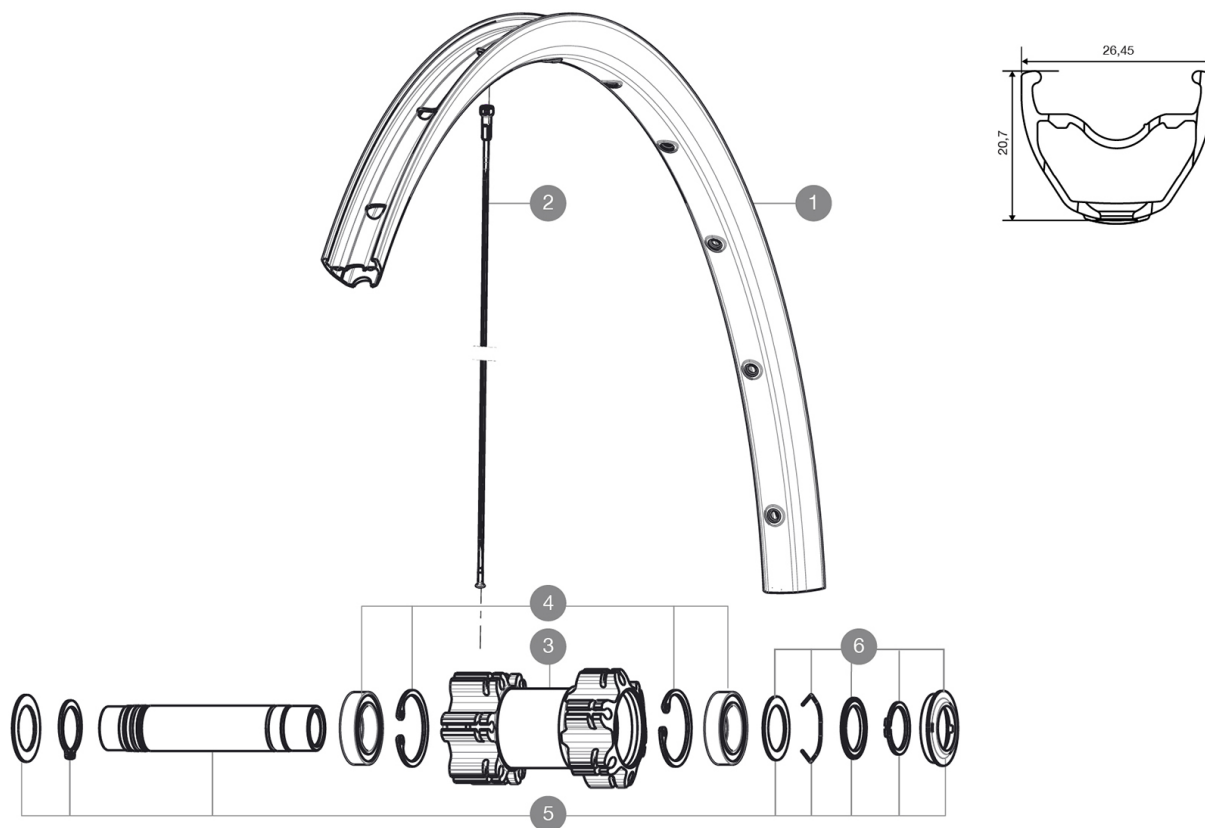
ASTM CATEGORY 3 : offroad with jumps less than 61cm

For a longer longevity of the wheel, Mavic recommends that the total weight supported by the wheels don't exceed 120kg, bike included

## 参照ホイール

F37001 Xride Light29Ft WTS

F71551 XrdLight29Ft Boost WTS



## RIMS



バルブ穴径 ( MM ) : 8,5 WITH POP OFF REDUCER :

1	V2314615	RIM CROSSRIDE LIGHT 29
---	----------	------------------------

## SPOKES

2	V2382601	12 FRT + REAR NON-DRIVE SIDE SPOKES 293mm CROSSRIDE LIGHT 29
---	----------	--



## HUB SHELLS

3	N/A	HUB BODY
4	99688501	BEARING KIT 9/15 D6T HUB
5	V2371101	KIT FRONT QRM AXLE 100mm/BOOST 110mm
5	V2370101	KIT FRONT AXLE 15MM CROSSONE/-RIDE/-ROC - while stock last
6	V2370301	FRONT AUTO ADJUST.PLAY KIT 15MM AXLE

**MAVIC**

# Crossride Light WTS 29

## 付属品

Rim tape	
Rear 12x142mm adapters	
User guide	
Front QR adapters (996 941 01 for MTB or B41 043 01 for road) 1	
Rear 12x142mm adapters for ITS4 and TS2 (308 593 01 for ITS4, 329 650 01 for TS2) 1	
Rim tape	
User guide	

## COMPATIBILITY

Freewheel: Shimano/Sram, convertible to XD with optional driver body	
Front axle: convertible from 15mm thru axle to Quick Release with included adapters	
Front axle: convertible from 15mm thru axle to Quick Release with optional adapters	
Rear axle: 12mm thru axle, convertible to Quick Release with optional adapters	

## Specifications

### リム

- Joint : sleeved
- Drilling : traditional
- Disc brake specific profile
- Valve hole diameter : 8,5 mm with pop off reducer
- Tyre : tubetype
- Internal width : 21 mm
- ETRTO size 26" : 559x21C
- ETRTO size 27.5" : 584x21C
- ETRTO size 29" : 622x21C
- Joint : sleeved
- Drilling : traditional
- Disc brake specific profile
- Valve hole diameter : 8,5 mm with pop off reducer
- Tyre : tubetype
- Internal width : 21 mm
- ETRTO size 26" : 559x21C
- ETRTO size 27.5" : 584x21C
- ETRTO size 29" : 622x21C

### スポーク

- Material : steel
- Shape : straight pull, bladed, double butted
- Nipples : brass, ABS
- Count : 24 front and rear
- Lacing : front and rear crossed 2
- Material : steel
- Shape : straight pull, bladed, double butted
- Nipples : steel, ABS
- Count : 24 front and rear
- Lacing : front and rear crossed 2

### ホイールハブ

- Freewheel : TS-2 alloy
- Front and rear bodies : aluminum
- Freewheel : TS-2 alloy

### VERSIONS

- Color : Black only
- Disc standard : 6 Bolts only
- Hub width : Boost (front 110, rear 148) or Non-Boost (front 100, rear 135/142)

### ホイールの重み

- ホイール重量 (クイックリリースおよびクリンチャー/チューブラーを除く) (g) :
- Weight Front 26": 850  
Weight Front 27.5": 880  
Weight Front 29": 930