

ASTM CATEGORY 3 : offroad with jumps less than 61cm

For a longer longevity of the wheel, Mavic recommends that the total weight supported by the wheels doesn't exceed 120kg, bike included

ETRTO recommended tyre sizes: 35mm to 69mm (1.4" to 2.7")

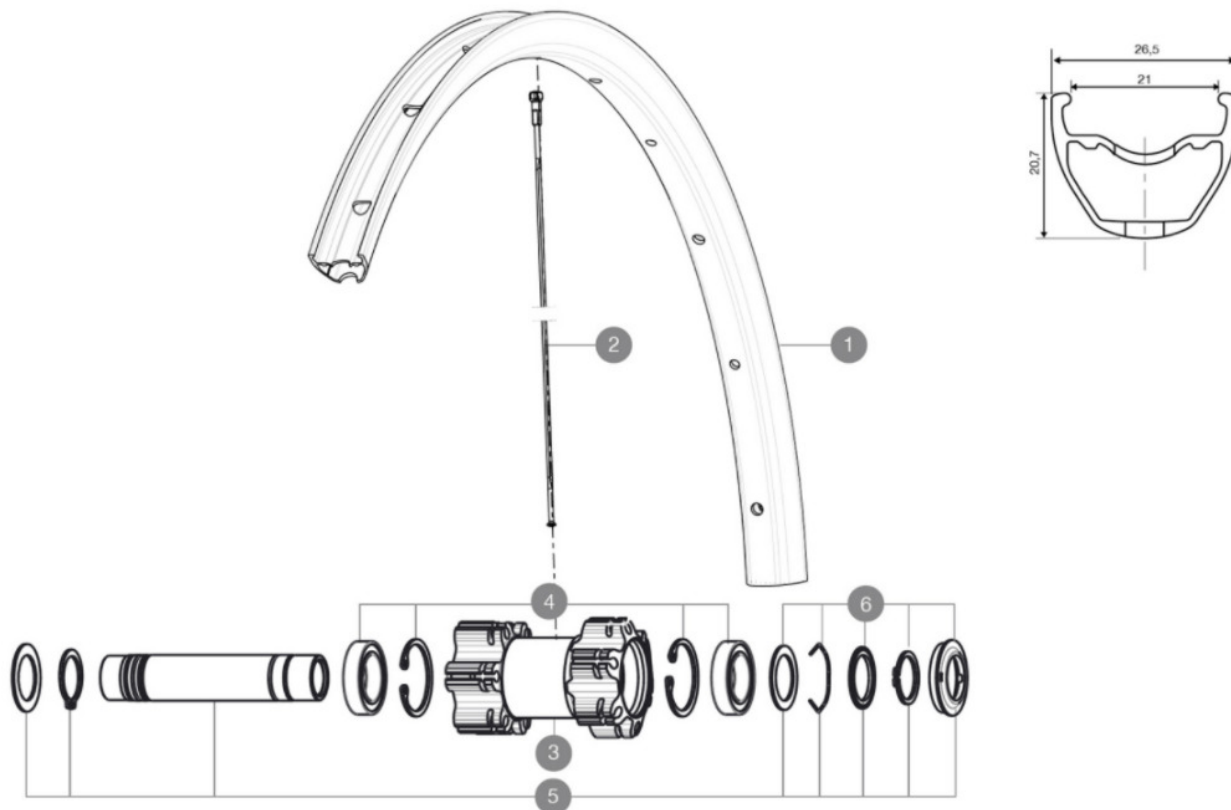
Recommended tyre sizes: 36 mm to 64 mm (1.4" to 2.5")

参照ホイール

F70161 Xrd 16 27,5 Ft Boost

F28501

Xride16Ft 27.5



RIMS



À□□À□«À□□Ç@`Á¼□ÿ¼□MMÍ¼□ÿ¼□8,5 WITH
POP OFF REDUCER :

1	V2314815	RIM CROSSRIDE + CROSSRIDE FTSX 27,5
---	----------	-------------------------------------



SPOKES

2	V2381801	12 FRT + REAR NON-DRIVE SIDE SPOKES 277mm CROSSRIDE LIGHT 27
---	----------	--

HUB SHELLS

3	N/A	HUB BODY
4	99688501	BEARING KIT 9/15 D6T HUB
5	V2371101	KIT FRONT QRM AXLE 100mm/BOOST 110mm
5	V2370101	KIT FRONT AXLE 15MM CROSSONE/-RIDE/-ROC - while stock last
6	V2370301	FRONT AUTO ADJUST.PLAY KIT 15MM AXLE

付属品

BR101 quick releases	
Rim tape	
Front QR adapters	
Rear QR adapters	
BR101 quick releases	
BR101 quick releases	
Rear 12x142mm adapters	
Valve reducer	
User guide	
Front QR adapters	
Front QR adapters	
Rear QR adapters	
Rear 12x142mm adapters for ITS4 and TS2 (308 593 01 for ITS4, 329 650 01 for TS2) 1	
Rear 12x142mm adapters for ITS4 and TS2 (308 593 01 for ITS4, 329 650 01 for TS2) 1	
Valve reducer	
Valve reducer	
Rim tape	
Rim tape	

COMPATIBILITY

Freewheel: Shimano/Sram, convertible to XD with optional driver body	
Freewheel: Shimano/Sram, convertible to XD with optional driver body	
Front axle: convertible from 15mm thru axle to Quick Release with included adapters	
Front axle: convertible from 15mm thru axle to Quick Release with included adapters	
Rear axle: 12mm thru axle, convertible to Quick Release with optional adapters	