

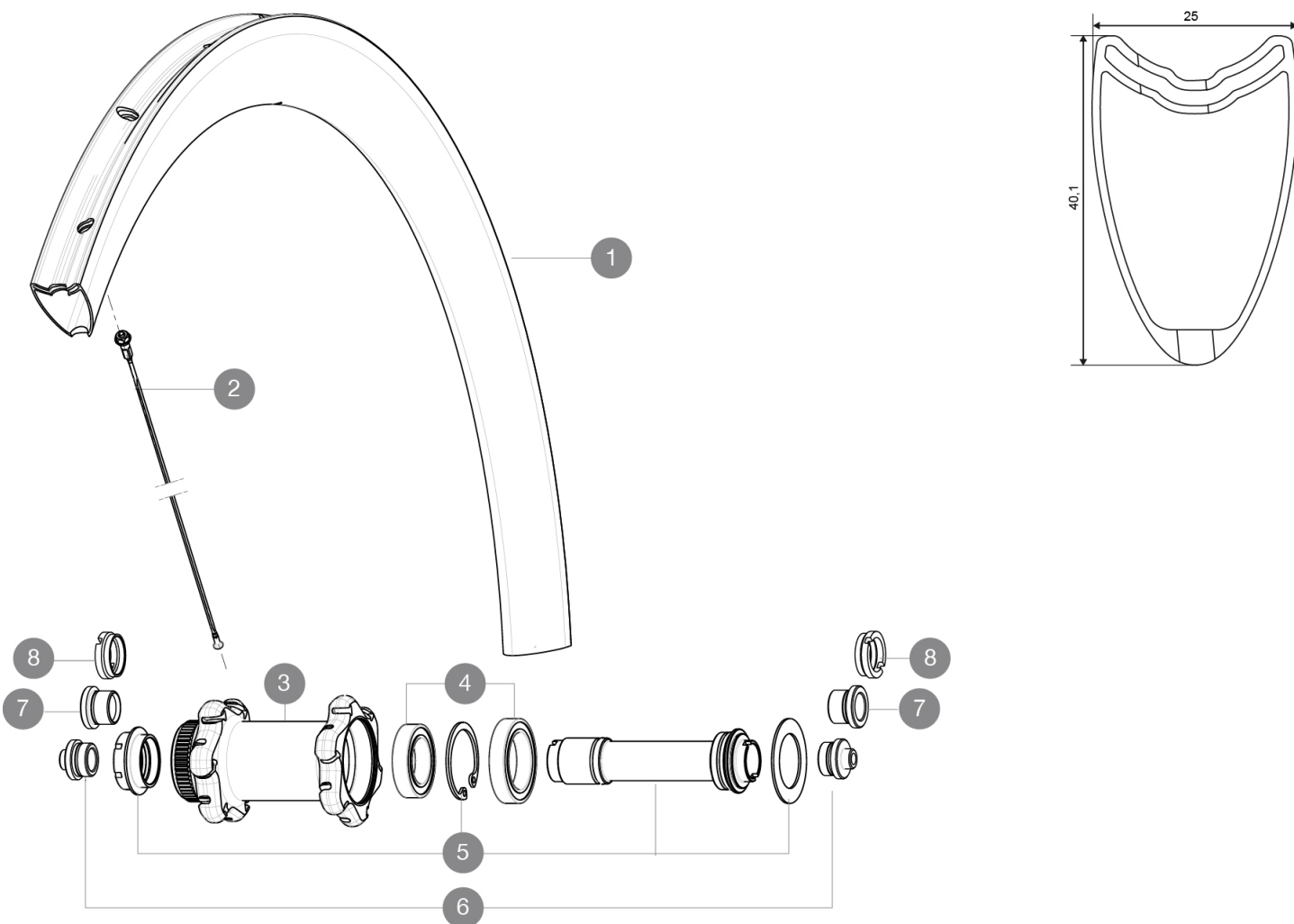


# Cosmic Pro Carbon SL T Disc

For a longer longevity of the wheel, Mavic recommends that the total weight supported by the wheels doesn't exceed 120kg, bike included  
 Recommended tyre sizes: 25 to 52 mm  
 23mm 8.7 bars - 125 psi, 25mm 7.7 bars - 110 psi  
 Max. Pressure: 25mm 7.7 bars - 110 PSI

## 参照ホイール

F71331	CosProCarSiTDCLFtQRx100	F52401	CosProCarbSLTDiscCLFt
F71351	CosProCarSiTDCLFt15x100		



## RIMS



バルブ穴径 (MM) : 6,5 :

1	V2403910	KIT FRONT RIM COS PRO CARB SL DISC TUBULAR
---	----------	--

## SPOKES

2	V2277401	KIT 12 FT/NDS COSMIC PRO CARB SL D T 278mm SP - while stock
2	V3663001	KIT 12 FRT/NDS COSMIC PRO CARB SL UST/UST Disc C/C Disc/T Di

## HUB SHELLS

4	99688601	BEARING KIT 9/15 DCL HUB 20x32x7 6804 + 25x37x7 6805
5	V2252401	MY16 FRONT AXLE ROAD DISC 9/12/15 CENTER LOCK



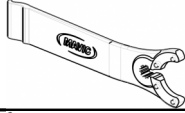
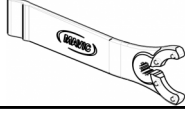
## ADAPTERS

6	B4104301	9mm FT road Axle Adapters 16
7	B4104201	12mm FT road Axle Adapters 16
8	B4104401	15mm FT Road Axle Adapters 16



# Cosmic Pro Carbon SL T Disc

## 付属品

BR601 quick releases	
Front 12 mm adapters	
Specific disc bolts	
User guide	
Front 12 mm adapters (B4104201) 1	
Rear 12x142mm adapters for Instant Drive 360 (B49 896 01 for ID360 6T, B49 899 01 for ID360 CL) 1	
Specific disc bolts	
Specific disc bolts	
Multifunction adjustment wrench (325 423 01) 1	
Multifunction adjustment wrench (325 423 01) 1	
User guide	
User guide	

## COMPATIBILITY

Freewheel: Shimano/Sram or Campagnolo, convertible to XD-R with optional driver body	
Front axle: convertible from 12mm thru axle to quick release or 15mm thru axle with optional adapters	
Front axle: convertible from 12mm thru axle to quick release or 15mm thru axle with optional adapters	
Rear axle: 12mm thru axle, convertible to Quick Release with optional adapters	
Rear axle: 12mm thru axle, convertible to Quick Release with optional adapters	

## Specifications

### リム

- Material : 3K carbon fibers
- Height : 40 mm
- Drilling : traditional
- Material : 3K carbon fibers
- Material : 3K carbon fibers
- Disc brake specific profile
- Valve hole diameter : 6.5 mm
- Tyre : tubular
- ETRTO size : 28" tubular
- Recommended tyre sizes : 25 to 52 mm
- Height : 40 mm
- Height : 40 mm
- Drilling : traditional
- Drilling : traditional
- Disc brake specific profile
- Disc brake specific profile
- Valve hole diameter : 6.5 mm
- Valve hole diameter : 6.5 mm
- Tyre : tubular
- Tyre : tubular
- ETRTO size : 28" tubular
- ETRTO size : 28" tubular

### スポーク

- Material : steel
- Shape : straight pull, bladed, double butted
- Nipples : aluminum, ABS
- Count : 24 front and rear

### ホイールハブ

- Front and rear bodies : aluminum
- Axle material : aluminum
- Sealed cartridge bearings
- Freewheel : Instant Drive 360
- Front and rear bodies : aluminum
- Front and rear bodies : aluminum
- Front : Quick release, 12 thru and 15 thru compatible
- Axle material : aluminum
- Axle material : aluminum
- Rear : 12x142 (convertible to quick release with optional adapters)
- Sealed cartridge bearings
- Freewheel : Instant Drive 360
- Freewheel : Instant Drive 360
- Front : Quick release, 12 thru and 15 thru compatible
- Rear : 12x142 (convertible to quick release with optional adapters)

### VERSIONS

- Color : Black only
- Color : Black only
- Disc standard : Center Lock(R) only

### ホイールの重み

ホイール重量 (クイックリリースおよびクリンチャーチューブラーを除く) (g) : 730