

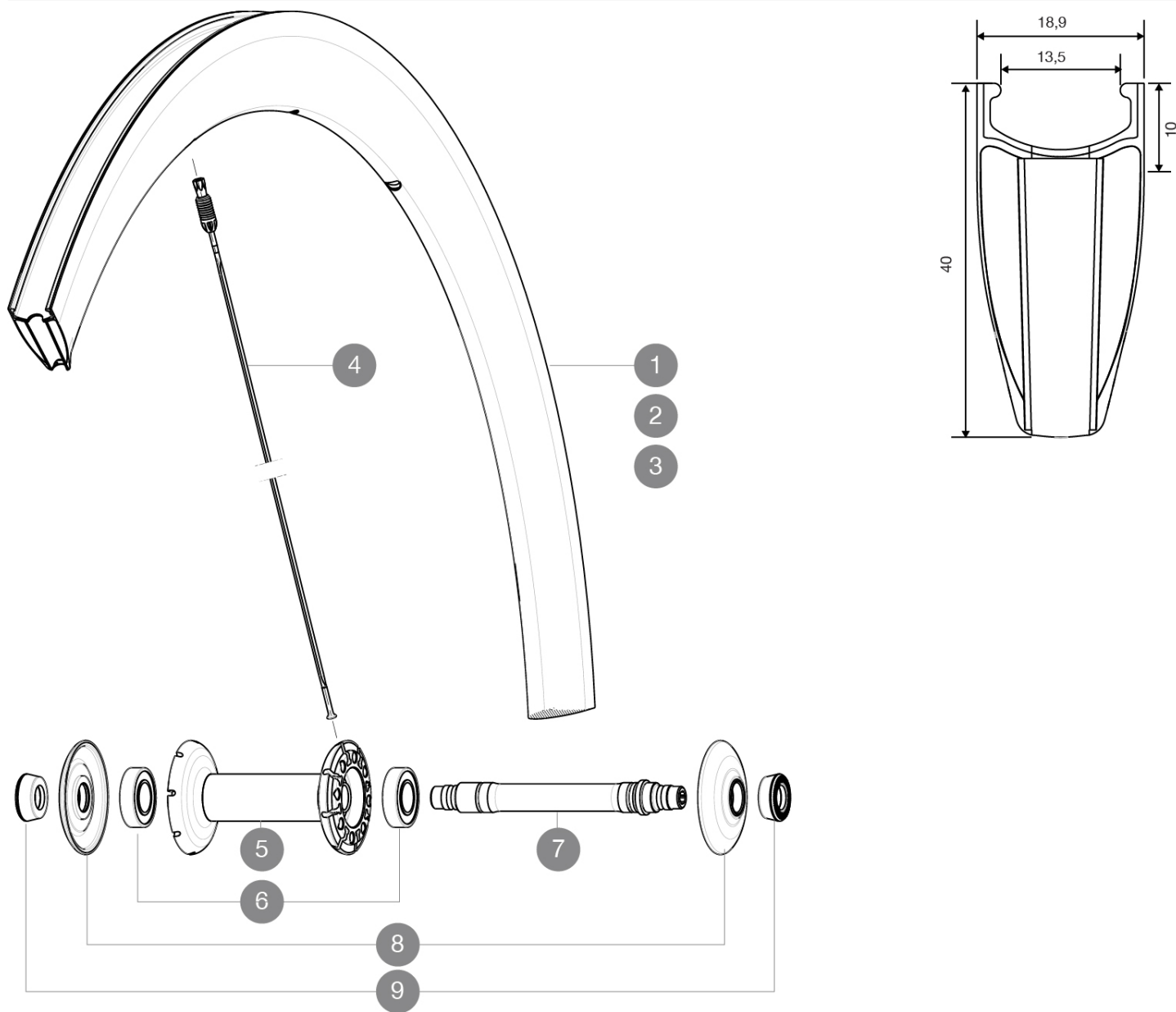
ASTM CATEGORY 1 : road only

For a longer longevity of the wheel, Mavic recommends that the total weight supported by the wheels doesn't exceed 120kg, bike included

Recommended tyre sizes: 21 to 28 mm
Max. Pressure: 23mm 8.7 bars - 125 psi

参照ホイール

F71841	CosCarb40Elite16Frt Black	F71843	CosCarb40Elite16Frt CHROME
F71842	CosCarb40Elite16Frt White		



RIMS



バルブ穴径 (MM) : 6,5 :

1	V2400610	FRONT RIM CC 40 ELITE WHITE
2	V2400810	FRONT RIM CC 40 ELITE BLACK
3	V2404310	FRONT RIM CC40 ELITE CHROME

SPOKES

4	32979001	KIT 10 AERO FT/NDS CC 40 C BLACK SPOKE 277mm - while stock I
4	V3664201	KIT 12 FRT/NDS STAINLESS SPOKE CC40 C 277mm

HUB SHELLS

5	N/A	HUB BODY
6	M40078	FRONT HUB 6901 BEARINGS
7	30870001	FRONT AXLE ROAD RIM BRAKING QRM +

8 32985701 HUB CAP & ADJUST.NUT CXR 80

ADAPTERS

9 35117301 FRONT OR REAR FORK REST KIT R-SYS 2013



Cosmic Carbone 40 Elite

付属品

BR301 quick releases	
Carbon brake pads	
BR301 quick releases	
Carbon brake pads	
Multifunction adjustment wrench	
User guide	
Multifunction adjustment wrench	
User guide	

Specifications

リム

- Material : 3K carbon fibers with aluminum cooling system
- Height : 40 mm
- Drilling : co-molded Fore drilled inserts
- Material : 3K carbon fibers with aluminum cooling system
- Brake track : carbon with TgMAX technology
- Brake track : carbon
- Valve hole diameter : 6.5 mm
- Tyre : clincher
- ETRTO size : 622x13C
- Recommended tyre sizes : 21 to 28 mm
- Height : 40 mm
- Drilling : co-molded Fore drilled inserts
- Brake track : carbon with TgMAX technology
- Brake track : carbon
- Valve hole diameter : 6.5 mm
- Tyre : clincher
- ETRTO size : 622x13C

スポーク

- Material : steel
- Shape : straight pull, bladed, double butted
- Nipples : Fore integrated aluminum
- Count : front 16, rear 20
- Lacing : radial front and rear non-drive side, crossed 2 rear drive side
- Material : steel
- Shape : straight pull, bladed, double butted
- Nipples : Fore integrated aluminum
- Count : front 16, rear 20
- Lacing : radial front and rear non-drive side, crossed 2 rear drive side

ホイールハブ

- Front and rear bodies : aluminum
- Axle material : aluminum
- Adjustable sealed cartridge bearings
- Freewheel : FTS-L steel
- Front and rear bodies : aluminum
- Axle material : aluminum
- Adjustable sealed cartridge bearings
- Freewheel : FTS-L steel

ホイールの重み

ホイール重量 (クイックリリースおよびクリンチャー/チューブラーを除く) (g) : 670