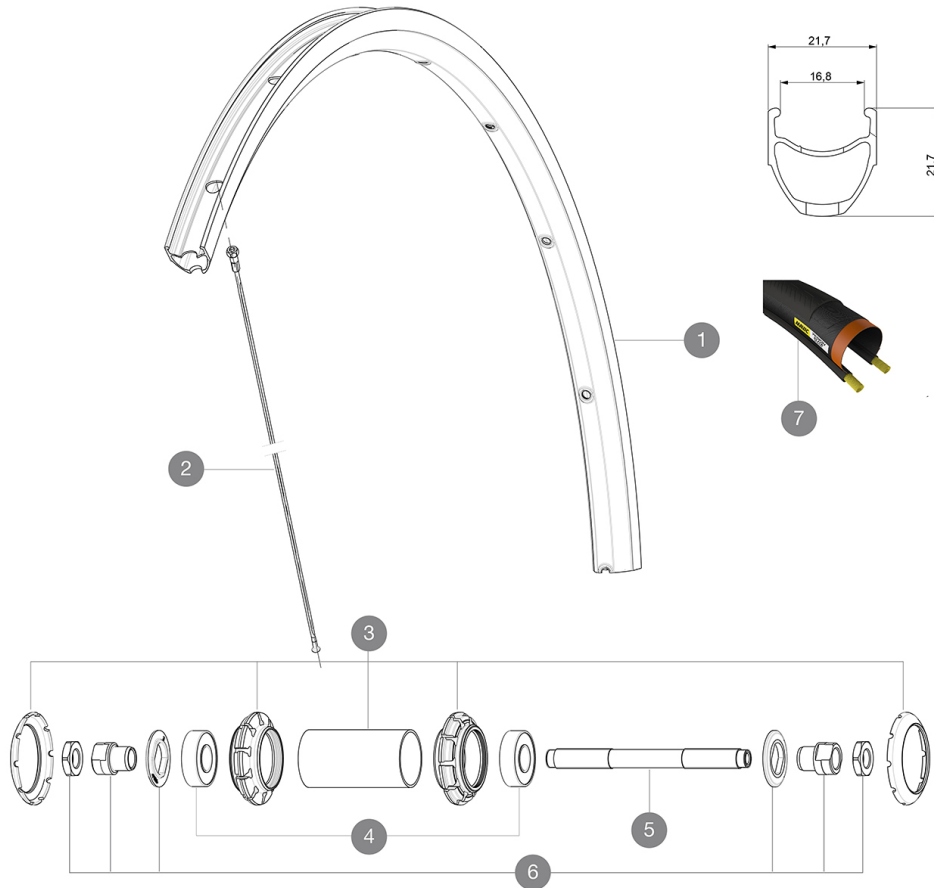


ASTM CATEGORY 2 : road and offroad with jumps less than 15cm
 For a longer longevity of the wheel, Mavic recommends that the total weight supported by the wheels don't exceed 120kg, bike included
 Recommended tyre sizes: 25 to 32 mm
 23mm 8.7 bars - 125 psi, 25mm 7.7 bars - 110 psi
 Max. Pressure: 25/28mm 7.7 bars - 110 PSI

参照ホイール

F54501 Aksium Elite 17 Ft



RIMS



&NBSP;:

1	V2408615	KIT FRONT/REAR RIM AKSIUM ELITE 17C - while stock last
1	V2735015	KIT FRONT/REAR RIM AKSIUM ELITE UST UB SUP

SPOKES

2	V4160101	Kit 10 stainless spokes 285 Ft Ksyrium Equipe S/Ft & NDS Aks
2	10844901	KIT 10 FT KSYRIUM EQ S/FT+NDS AKSIUM SPK 285mm - while stock

HUB SHELLS

3	12034401	KIT 3 HUB CAPS AERO 10 SLOTS BLACK
4	M40318	HUB BEARING KIT 6001
5	99603701	FRONT AXLE QRM ROAD 2008
6	99603801	SHORT EXPENSIBLE BEARING SUPPORTS > 2008


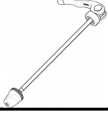
TYRES

7	37805628	Yksion Elite Guard 16 White 28
7	37805625	Yksion Elite Guard 16 White 25

MAVIC

Aksium Elite

付属品

BR101 quick releases (M40350 frt, M40351 rear road, M40352 rear MTB) 1	
BR101 quick releases (M40350 frt, M40351 rear road, M40352 rear MTB) 1	
Rim tape	
Rim tape	
User guide	
User guide	

COMPATIBILITY

Freewheel: Shimano/Sram, convertible to Campagnolo with optional driver body	
Freewheel: Shimano/Sram, convertible to Campagnolo with optional driver body	
Front axle: Quick Release only	
Front axle: Quick Release only	
Rear axle: Quick Release only	
Rear axle: Quick Release only	

Specifications

リム

- Material : S6000 Aluminum
- Material : S6000 Aluminum
- Height : 22 mm
- Height : 21 mm
- Joint : sleeved
- Joint : sleeved
- Drilling : traditional with H2 reinforcement
- Drilling : traditional with H2 reinforcement
- Brake track : UB Control
- Brake track : UB Control
- Valve hole diameter : 6.5 mm
- Valve hole diameter : 6.5 mm
- Tyre : clincher
- Tyre : clincher
- Internal width : 17 mm
- Internal width : 17 mm
- ETRTO size : 622x17C
- ETRTO size : 622x17C

スポーク

- Material : steel
- Material : steel
- Shape : straight pull, bladed
- Shape : straight pull, bladed
- Nipples : steel, ABS
- Nipples : steel, ABS
- Count : 20 front and rear
- Count : 20 front and rear
- Lacing : radial front and rear non-drive side, crossed 2 rear drive side
- Lacing : radial front and rear non-drive side, crossed 2 rear drive side

ホイールハブ

- Front and rear bodies : aluminum
- Front and rear bodies : aluminum
- Axle material : steel
- Axle material : steel
- Sealed cartridge bearings
- Sealed cartridge bearings
- Freewheel : FTS-L steel
- Freewheel : FTS-L steel

VERSIONS

- Color : Black only
- Color : Black only

ホイールの重み

ホイール重量 (クイックリリースおよびクリンチャー/チューブラーを除く) (g) : 815