

ASTM CATEGORY 1 : road only

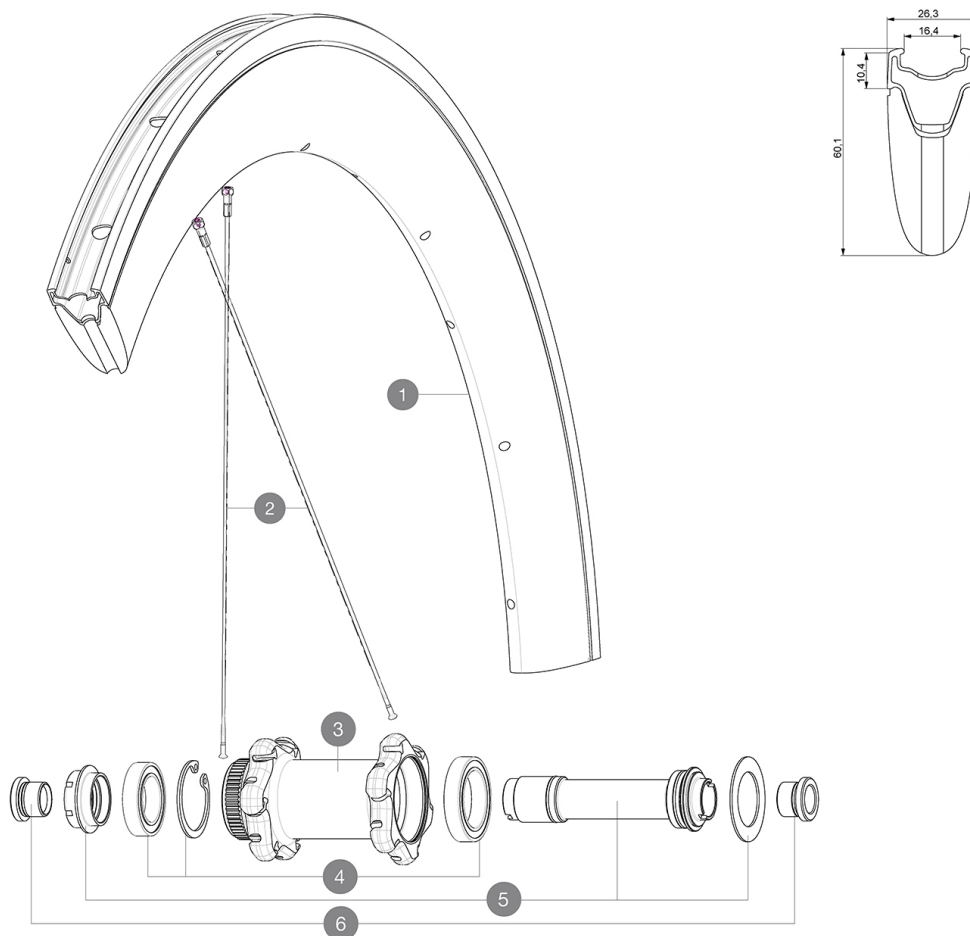
For a longer longevity of the wheel, Mavic recommends that the total weight supported by the wheels don't exceed 120kg, bike included

Recommended tyre sizes: 23 to 32 mm

Max. Pressure: 23mm 8.7 bars - 125 psi, 25mm 7.7 bars - 110 psi

参照ホイール

F70771 CXREliteDCLFt12x100



RIMS



Ä□□Ä□«Ä□□Ç©'Ä%□Ï¼□MMÏ¼□Ï¼□6.5 :

1	V2408510	KIT FRONT RIM CXR ELITE DISC - until stock last
	V2690201	KIT CARBON RIM TAPE 18x622mm (SPECIAL RIM TAPE)

SPOKES

2	V2275201	KIT 12 REAR NON-DRIVE SIDE & FRONT DISC & REAR DISC side BUT
---	----------	--

HUB SHELLS





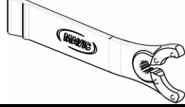
3	N/A	HUB BODY
4	99688601	BEARING KIT 9/15 DCL HUB 20x32x7 6804 + 25x37x7 6805
5	V2390701	KIT FRONT 12mm AXLE QRM+ CL

ADAPTERS

6	B4104201	12mm FT road Axle Adapters 16
	B4104301	9mm FT road Axle Adapters 16
	B4104401	15mm FT Road Axle Adapters 16

MAVIC CXR Elite Disc

付属品

Front 12 mm adapters (B4104201) 1	
Rear 12x142mm adapters for Instant Drive 360 (B49 896 01 for ID360 6T, B49 899 01 for ID360 CL) 1	
Valve extender (118 952 01) 1	
Specific disc bolts (308 719 01) Pack of 6	
Rim tape	
Multifunction adjustment wrench (325 423 01) 1	
User guide	

COMPATIBILITY

Freewheel: Shimano/Sram, convertible to Campagnolo and XD-R with optional driver bodies	
Front axle: convertible from 12mm thru axle to quick release or 15mm thru axle with optional adapters	
Rear axle: 12mm thru axle, convertible to Quick Release with optional adapters	

Specifications

リム

- Material : Maxtal alloy with Blackcell flange
- Height : 60 mm
- Drilling : traditional
- Disc brake specific profile
- Valve hole diameter : 6.5 mm
- Tyre : clincher
- Internal width : 16 mm
- ETRTO size : 622x16C

スポーク

- Material : steel
- Shape : straight pull, bladed, double butted
- Nipples : aluminum, ABS
- Count : 24 front and rear
- Lacing : front crossed 2, rear Isopulse

ホイールハブ

- Front and rear bodies : aluminum
- Axle material : aluminum
- Sealed cartridge bearings
- Freewheel : Instant Drive 360
- Front : Quick release, 12 and 15mm through axle compatible
- Rear : convertible to 12mm through axle (135 and 142)

VERSIONS

- Color : Black only
- Disc standard : 6 Bolts or Center Lock(R)

ホイールの重み

ホイール重量 (クイックリリースおよびクリンチャー/チューブラーを除く) (g) : 945