



Ksyrium Pro Carbon SLC Disc HR

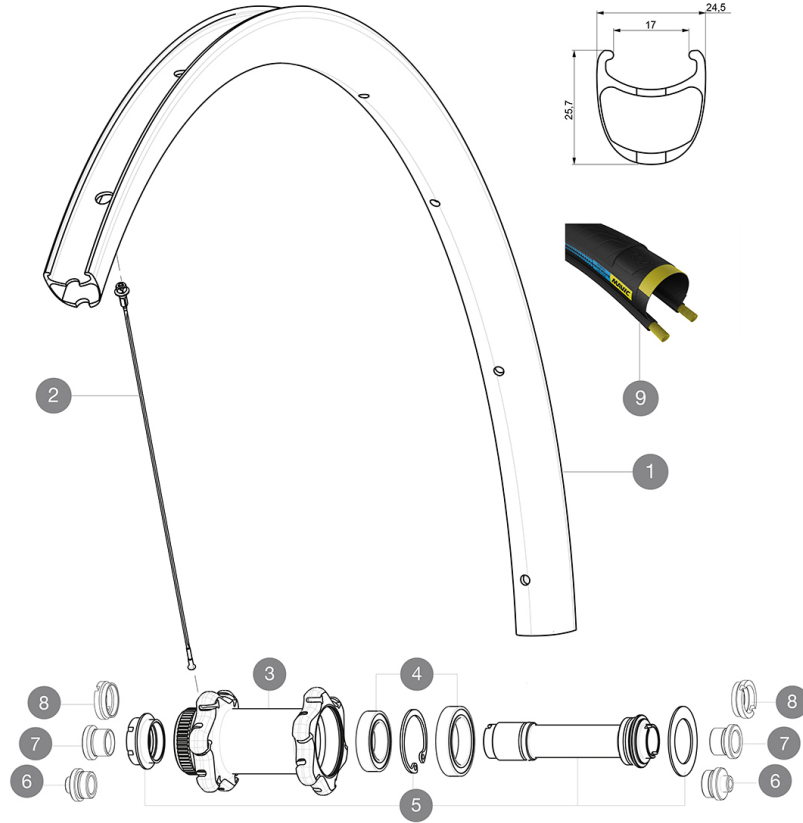
ASTM CATEGORY 1 : road only

For a longer longevity of the wheel, Mavic recommends that the total weight supported by the wheels don't exceed 120kg, bike included

Recommended tyre sizes: 25 to 32 mm
Max. Pressure: 25mm 7.7 bars - 110 PSI

参照ホイール

F70851 KPCarbSLCD12x100ftCLHRV



RIMS



バルブ穴径 (MM) : 6,5 :

1	V2734010	KIT FRONT RIM KSYRIUM PRO CARBON SL UST DISC
1	V2409810	KIT FT RIM KSYRIUM PRO CARBON SL Clinch DISC HR - while stoc
	V2620101	UST RIM TAPE 25mm (for 21-24mm wide rim)
	V2690101	KIT CARBON RIM TAPE 21x622mm (SPECIAL RIM TAPE)

ADAPTERS

6	B4104301	9mm FT road Axle Adapters 16
7	B4104201	12mm FT road Axle Adapters 16
8	B4104401	15mm FT Road Axle Adapters 16

SPOKES

2	V2273101	KIT 1 FRT 285mm + 1 FRT 291mm + 1 RR DRIVE SIDE 273mm ZICRAL
2	V2271501	KIT 12 FT KSY PRO CARB SL D/NDS KSY PRO CARB SL SPK 291mm

HUB SHELLS

3	N/A	HUB BODY
4	V2540501	KIT FRONT BEARINGS 20x32x7 & 25x37x7
4	99688601	BEARING KIT 9/15 DCL HUB 20x32x7 6804 + 25x37x7 6805
5	V2252401	MY16 FRONT AXLE ROAD DISC 9/12/15 CENTER LOCK

TYRES

9	39435825	Yksion Pro PowerLink HR Tubular
---	----------	---------------------------------



Ksyrium Pro Carbon SLC Disc HR

付属品

Front 12 mm adapters (B4104201) 1	
Rear 12x142mm adapters for Instant Drive 360 (B49 896 01 for ID360 6T, B49 899 01 for ID360 CL) 1	
Specific disc bolts (308 719 01) Pack of 6	
Rim tape	
Multifonction adjustment wrench (325 423 01) 1	
"Haute Route" special edition wheelbags 1	
User guide	

COMPATIBILITY

Freewheel: Shimano/Sram or Campagnolo, convertible to XD-R with optional driver body	
Front axle: convertible from 12mm thru axle to quick release or 15mm thru axle with optional adapters	
Rear axle: 12mm thru axle, convertible to Quick Release with optional adapters	

Specifications

リム

- Material : 3K carbon fibers
- Height : 25mm
- Drilling : traditional
- Disc brake specific profile
- Valve hole diameter : 6.5 mm
- Tyre : clincher
- Internal width : 17 mm
- ETRTO size : 622x17C

スポーク

- Material : steel
- Shape : straight pull, bladed, double butted
- Nipples : aluminum, ABS
- Count : 24 front and rear
- Lacing : front crossed 2, rear Isopulse

ホイールハブ

- Front and rear bodies : aluminum
- Axle material : aluminum
- High quality ceramic bearings by CeramicSpeed (R)
- Freewheel : Instant Drive 360

VERSIONS

- Color : Black only
- Disc standard : 6 Bolts or Center Lock(R)

ホイールの重み

ホイール重量 (クイックリリースおよびクリンチャー/チューブラーを除く) (g) :