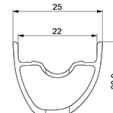
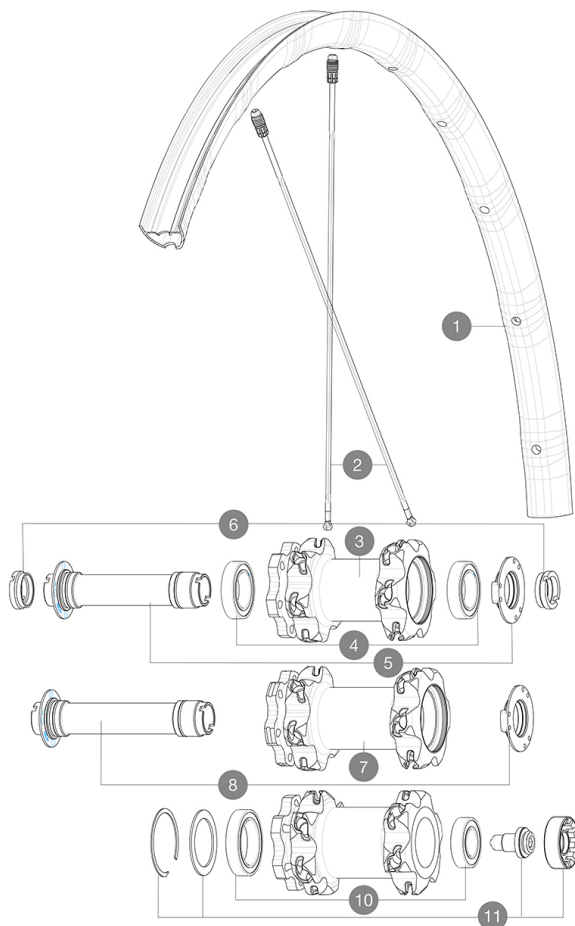


ASTM A242 3 : 36mm x 64mm (1.4" x 2.5")
 46mm x 64mm (1.8" x 2.5")

参照ホイール

F82961	Xmax Pro 29 19 Ft	F82981	Xmax Pro 29 19 Ft Lefty 60
F82971	Crossmax Pro 29 19 Ft Bst Bk	F82991	Xmax Pro 29 19 Ft Lefty 50



RIMS



&NBSP;:

1	V2319510	KIT FRONT RIM CROSSMAX PRO 19 29" While stocks lasts
---	----------	--

SPOKES

2	V2386401	KIT 1 275mm 27.5" + 1 293mm 29" CROSSMAX PRO STAMPED
2	V2384801	RHT 12 FRONT + 1 REAR NON-DRIVE SIDE BUTTED ZICRAL SPOKES 29

HUB SHELLS

3	N/A	HUB BODY
4	99688501	BEARING KIT 9/15 D6T HUB
5	V2252301	MY16 FRONT AXLE ROAD DISC 9/12/15 INT
7	N/A	HUB BODY
8	V2370701	KIT FRONT QRM+ AXLE BOOST INTL 110mm
9	N/A	HUB BODY
10	M40771	BEARING KIT FOR LEFTY HUB
11	36709301	ASSEMBLY KIT CROSSROC SUPERMAX
12	N/A	HUB BODY
13	M40777	ASSEMBLY KIT XMAX DISC LEFTY

ADAPTERS

6	B4104401	15mm FT Road Axle Adapters 16
---	----------	-------------------------------

