

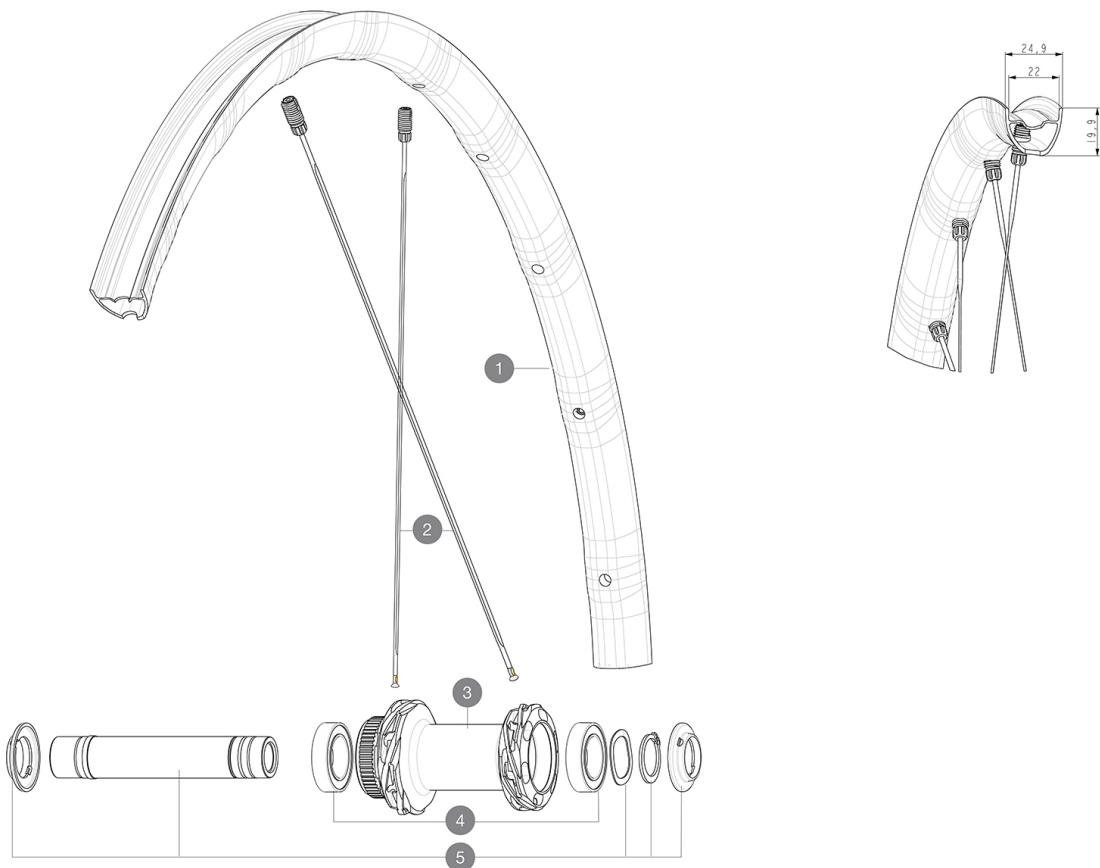


ALLROAD SL DISC

参照ホイール

F90331 ALL SL CL 700 12X100

ASTM A 286 2 : 15 120 28 64 mm (1.1" 2.5")
 Maximum tyre pressure: 4.6bar/67PSI with a 28mm tyre - 32.7bar/39PSI with a 64mm tyre



RIMS



&NBSP;:

| | | |
|---|-----------|---|
| 1 | V00097431 | Kit Front/Rear rim Allroad SL 23 |
| 1 | V4092015 | Kit Front/Rear rim Allroad SL while stock lasts |

SPOKES

| | | |
|---|----------|--|
| 2 | V4162501 | Kit 12 Front/Rear Allroad SL aero spoke 298 M7/7 |
|---|----------|--|

HUB SHELLS

| | | |
|---|----------|---|
| 3 | N/A | HUB BODY |
| 4 | V2500901 | KIT BEARINGS 18x30x7 + WAVED WASHER + CLIP |
| 5 | V2374001 | KIT 12x100mm FRONT AXLE DCL QRM AUTO ALLROAD > 2019 |

OPTIONS

| | |
|----------|--|
| V2680301 | "Kit Ft Road Adapter 12 >> 9mm" |
| V2373501 | QRM Auto front axle 15mm for DCL Allroad wheels > 2019 |
| V2372501 | 15mm MTB Axle Cap QRM Auto From 2019 |

付属品

Table with 2 columns and 6 rows listing accessories like UST tires and valves.

COMPATIBILITY

Table with 2 columns and 6 rows detailing compatibility for various hub and tire combinations.

Specifications

リム

- List of rim specifications including tire sizes (22mm, 25mm), rim width (40mm), and weight (325g).

ホイールハブ

- List of hub specifications including axle spacing (100mm, 135mm), hub width (12mm, 14mm), and weight (142g).

ホイールの重み

740