

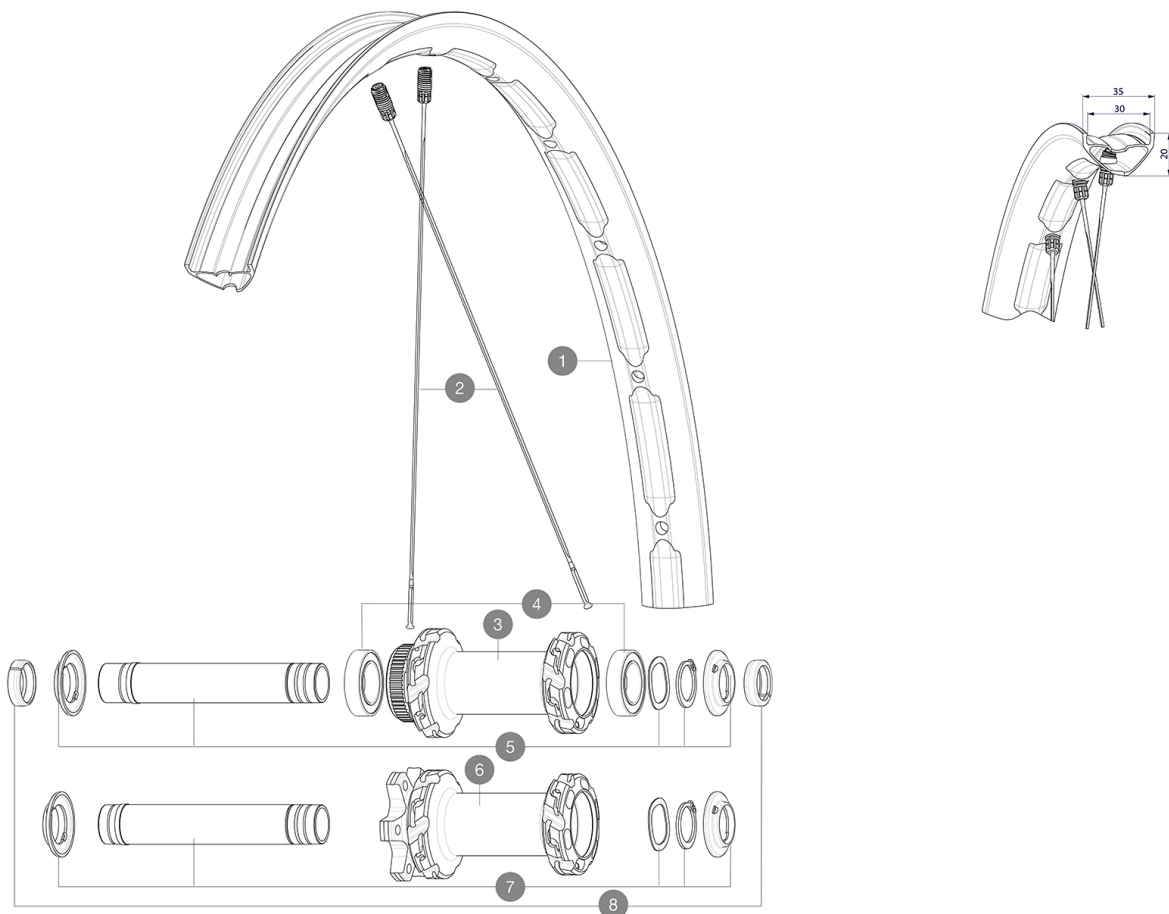
# MAVIC CROSSMAX XL S 29

## 参照ホイール

F90493 XMAX XLS INT 29 BST

F91972 XMAX XLS CL 29 BST

ASTM A853 4 : 2015  
 150mm x 2.25mm (2.35" x 3.0")  
 Maximum tyre pressure: 2.95bar/43PSI with a 52mm tyre - 1.55bar/22PSI with a 125mm tyre  
 52mm - 2.95Bar/43PSI  
 125mm - 1.55Bar/22PSI  
 [V2510801] -  
 ±0.1mm



## RIMS



&NBSP;:

- 1 V3765915 Kit Front/Rear rim Crossmax XLS 29"

## SPOKES

- 2 V2388301 Kit 12 Front/Rear Crossmax SL/SLS/XL/XLS 29" butted spoke 2

## HUB SHELLS

- 3 N/A HUB BODY
- 4 V2500901 KIT BEARINGS 18x30x7 + WAVED WASHER + CLIP
- 5 V2375601 Kit 110mm axle QRM auto MTB from 2019 DCL
- 6 N/A HUB BODY
- 7 V2372401 KIT 110mm AXLE QRM AUTO MTB > 2019

## OPTIONS

- V2374401 TORQUE CAPS 15\*31 Adapter MTB QRM Auto > 2019 Frt HUB

## ADAPTERS

- 8 V2372501 15mm MTB Axle Cap QRM Auto From 2019
- 99694101 2 REDUCERS 15/9mm



# CROSSMAX XL S 29

## 付属品

ã□ ã□¼ã□¶ã□¼ã□-ã□=ã□□	
Â¿Â¿Â¿Â¿Â¿Â¿Â¿Â¿Â¿Â¿Â¿Â¿2 Â¿Â¿Â¿	
USTÂ¿Â¿Â¿Â¿Â¿Â¿Â¿Â¿Â¿ (129 838 01)	
USTÂ¿Â¿Â¿Â¿Â¿Â¿Â¿Â¿Â¿ (129 838 01)	
USTÂ¿Â¿Â¿Â¿Â¿Â¿Â¿Â¿Â¿ (129 838 01)	
USTÂ¿Â¿Â¿Â¿Â¿Â¿Â¿Â¿Â¿ (129 838 01)	
Â¿Â¿Â¿Â¿Â¿Â¿Â¿Â¿Â¿Â¿Â¿ ¿Â¿Â¿Â¿Â¿ (325 423 01)	
Â¿Â¿Â¿Â¿Â¿Â¿Â¿Â¿Â¿Â¿Â¿ ¿Â¿Â¿Â¿Â¿ (325 423 01)	
Â¿Â¿Â¿Â¿Â¿Â¿Â¿Â¿Â¿Â¿Â¿ ¿Â¿Â¿Â¿Â¿ (325 423 01)	
Â¿Â¿Â¿Â¿Â¿Â¿Â¿Â¿Â¿Â¿Â¿ ¿Â¿Â¿Â¿Â¿ (325 423 01)	
ã□ ã□¼ã□¶ã□¼ã□-ã□=ã□□	
USTÂ¿Â¿Â¿Â¿Â¿Â¿Â¿Â¿Â¿ (129 838 01)	
Â¿Â¿Â¿Â¿Â¿Â¿Â¿Â¿Â¿Â¿Â¿2 Â¿Â¿Â¿	
Â¿Â¿Â¿Â¿Â¿Â¿Â¿Â¿Â¿Â¿Â¿ ¿Â¿Â¿Â¿Â¿ (325 423 01)	
Â¿Â¿Â¿Â¿Â¿Â¿Â¿Â¿Â¿Â¿2 Â¿Â¿Â¿	
Â¿Â¿Â¿Â¿Â¿Â¿Â¿Â¿Â¿Â¿2 Â¿Â¿Â¿	
FOREÂ¿Â¿Â¿Â¿Â¿	
FOREÂ¿Â¿Â¿Â¿Â¿	

## COMPATIBILITY

Â¿Â¿Â¿Â¿Â¿Â¿Â¿Â¿Â¿Â¿ HG9Â¿Â¿Â¿Â¿XD Â¿Â¿Â¿ Micro Spline	
Â¿Â¿Â¿Â¿Â¿Â¿Â¿Â¿Â¿Â¿ 15x110mm Â¿Â¿Â¿Â¿Â¿ Â¿Â¿Â¿Â¿Â¿Â¿Â¿	
Â¿Â¿Â¿Â¿Â¿Â¿Â¿Â¿Â¿ 12x148mm Â¿Â¿Â¿Â¿Â¿ Â¿Â¿Â¿Â¿Â¿Â¿Â¿	
ã□□ã□ªã□¼ã□□ã□=ã□¼ã□«æ□- ã¼□¶¼ã□ªã□ªã□¼ã□□ã□□ã □«ã□-ã□□ã□□HG MTBã□ªã□ã□ ¼ã□«¶¼ã□- ã□□ã□□V3790101ã□¶ã£¶¼□	
ã□□ã□ªã□¼ã□□ã□=ã□¼ã□«æ□- ã¼□¶¼ã□ªã□ªã□¼ã□□ã□□ã □«ã□-ã□□ã□□HG MTBã□ªã□ã□ ¼ã□«¶¼ã□- ã□□ã□□V3790101ã□¶ã£¶¼□	
ã□□ã□¼ã□ªã□□ 20ã□□ã□□15mm ã□□ã□ªã□ªã□□ã□¶ã□□ã□□ã□¿ □¼¶¼□[12982801]	
ã□□ã□ªã□ªã□□ã□¶ã□ªã□ªã□¼ ã□ªã□ªã□ªã□ªã□ªã□ªã□ªã□ªã□ ¿¶¼ã□«ã□□¶¼ã□□ã□□M9x1ã□ªã□- ã□□ã□□	
ã□ªã□¶ã□¶ã□ªã□ªã□ªã□ªã□ ã□□¿ã□¼¶¼□ 12x148ã□□9x141ã□« ã¶ã□æã□¶¼ã□ã□- ã□□ã□□V2510801ã□ªã£¶¼□	
ã□ªã□¶ã□¶ã□ªã□ªã□ªã□ªã□ ã□□¿ã□¼¶¼□ 12x148ã□□9x141ã□« ã¶ã□æã□¶¼ã□ã□- ã□□ã□□V2510801ã□ªã£¶¼□	
Â¿Â¿Â¿Â¿Â¿Â¿Â¿Â¿Â¿ 15x110mm Â¿Â¿Â¿Â¿ Â¿Â¿Â¿Â¿Â¿Â¿	
Â¿Â¿Â¿Â¿Â¿Â¿Â¿Â¿Â¿Â¿Â¿ HG9Â¿Â¿Â¿Â¿XD Â¿Â¿Â¿ Micro Spline	
Â¿Â¿Â¿Â¿Â¿Â¿Â¿Â¿Â¿Â¿Â¿ HG9Â¿Â¿Â¿Â¿XD Â¿Â¿Â¿ Micro Spline	
Â¿Â¿Â¿Â¿Â¿Â¿Â¿Â¿Â¿ 12x148mm Â¿Â¿Â¿Â¿Â¿ Â¿Â¿Â¿Â¿Â¿Â¿	
Â¿Â¿Â¿Â¿Â¿Â¿Â¿Â¿Â¿ 12x148mm Â¿Â¿Â¿Â¿Â¿ Â¿Â¿Â¿Â¿Â¿Â¿	
Â¿Â¿Â¿Â¿Â¿Â¿Â¿Â¿Â¿ 15x110mm Â¿Â¿Â¿Â¿Â¿ Â¿Â¿Â¿Â¿Â¿Â¿	
ã□□ã□ªã□ªã□□ã□¶ã□ªã□ªã□¼ ã□ªã□ªã□ªã□ªã□ªã□ªã□ªã□ªã□ ¿¶¼ã□«ã□□¶¼ã□□ã□□M9x1ã□ªã□- ã□□ã□□	