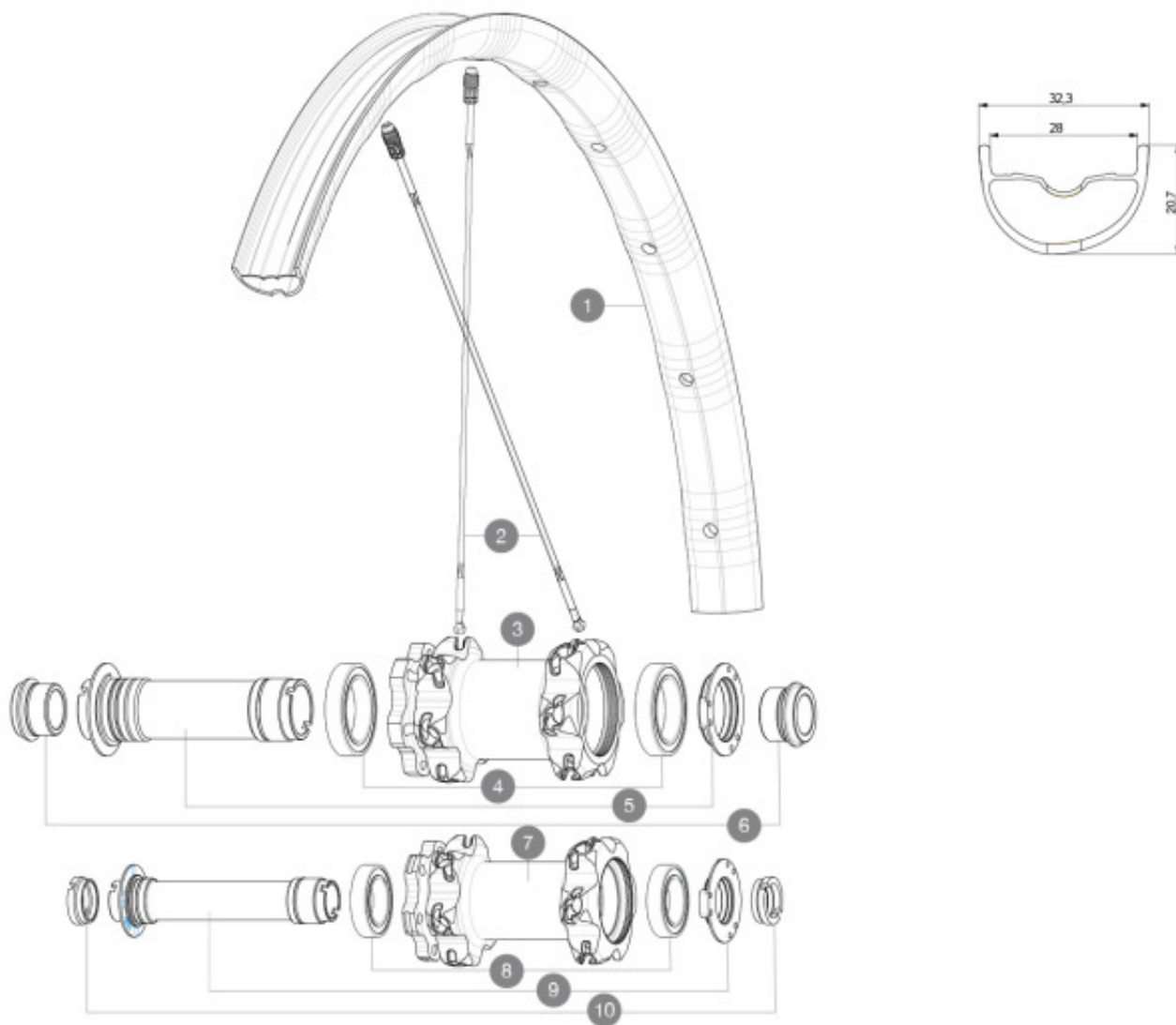


参照ホイール

ASTM A476 4 : 120mm (1.8" x 2.5")
46mm x 64mm



SPOKES

2	A7209901	KIT 12 FT/NDS CROSSMAX XL/DEEMAX PRO 19 29" SPK 293mm
---	----------	---

HUB SHELLS

4	M40179	FRONT BEARING 25x37x7 20mm AXLE
5	30870501	FRONT AXLE 20mm CROSSMAX ST/SX + DEEMAX ULTI 2012
8	99688501	BEARING KIT 9/15 D6T HUB
9	V2370701	KIT FRONT QRM+ AXLE BOOST INTL 110mm

OPTIONS

V2650201	ADAPTER Front Torque Cap 15x31 MTB QRM +
----------	--


ADAPTERS

6	12982801	15mm ADAPTER KIT - 2012 WHEELS
10	B4104401	15mm FT Road Axle Adapters 16
	12982901	20mm adapter for Crossmax ST/SX (front wheel)
	12982701	9mm Adapters + QR for Crossmax ST/SX (front wheel)
	B4104301	9mm FT road Axle Adapters 16



Deemax Pro Team Series

付属品

UST (L12983800)	
 (L30871900)	
 (L32542300)	
2A 4A	
Torque Cap Adapter	
XD driver body	

COMPATIBILITY

Rear axle: 12mm thru axle	
---------------------------	--

Specifications

リム

- : FORE
- ISM 4D
- UST
- 28mm
- ETRTO 29" 622x28TSS

スポーク

- : 24
- 2A

ホイールハブ

- : QRM+QRM
- QRM
- 360

VERSIONS

- : 110mm 148mm

ホイールの重み

915