

ASTM A 2106 1 : 2016

23mm-

6.75Bar/97PSI

Maximum tyre pressure: 6.75bar/97PSI with a 23mm tyre - 3.8bar/55PSI with a 62mm tyre

120mm-

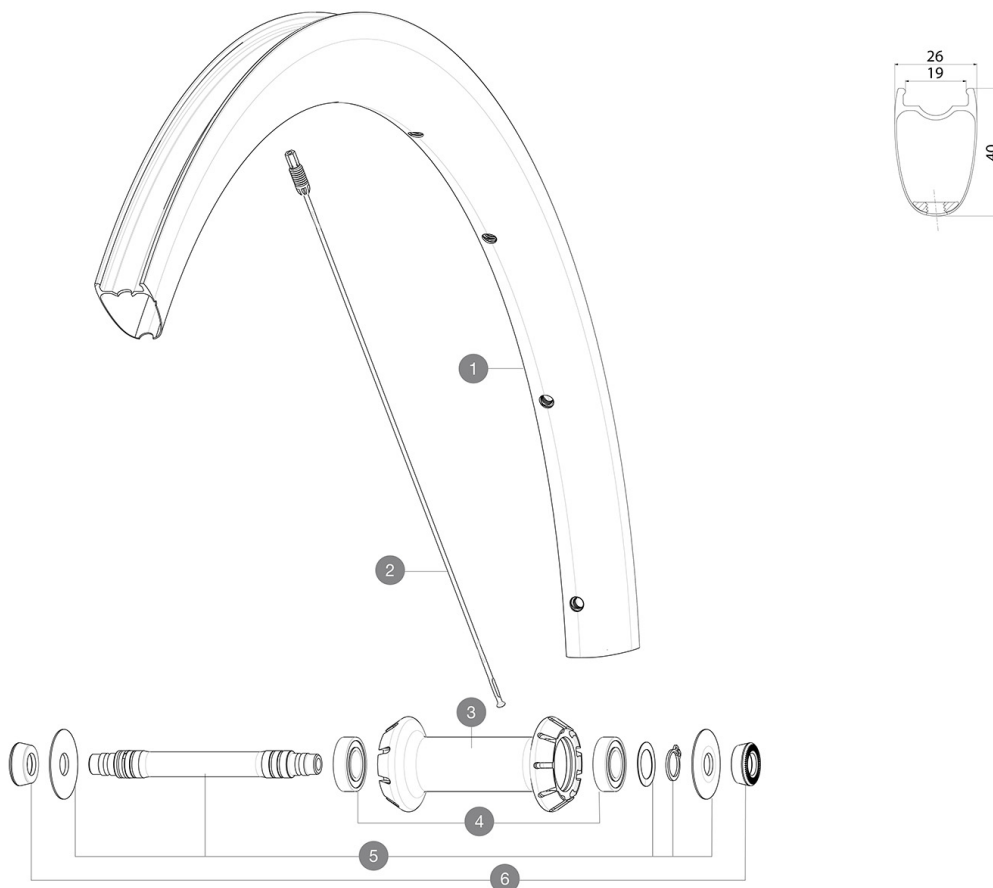
62mm-

3.8Bar/55PSI

3.8Bar/55PSI

参照ホイール

F92421 COSMIC SLR40 RB 700 QR



RIMS



&NBSP;:

1 V4094710 Kit Front rim Cosmic SLR 40 RB

SPOKES

2 V3669501 Kit 9 Ft Cosmic SLR40 aero ss spk 277 M6

HUB SHELLS

3 N/A HUB BODY

4 M40078 FRONT HUB 6901 BEARINGS

5 V2375801 Kit front axle RB for QRM auto hub + hoobster + wave washer

ADAPTERS

6 35117301 FRONT OR REAR FORK REST KIT R-SYS 2013

