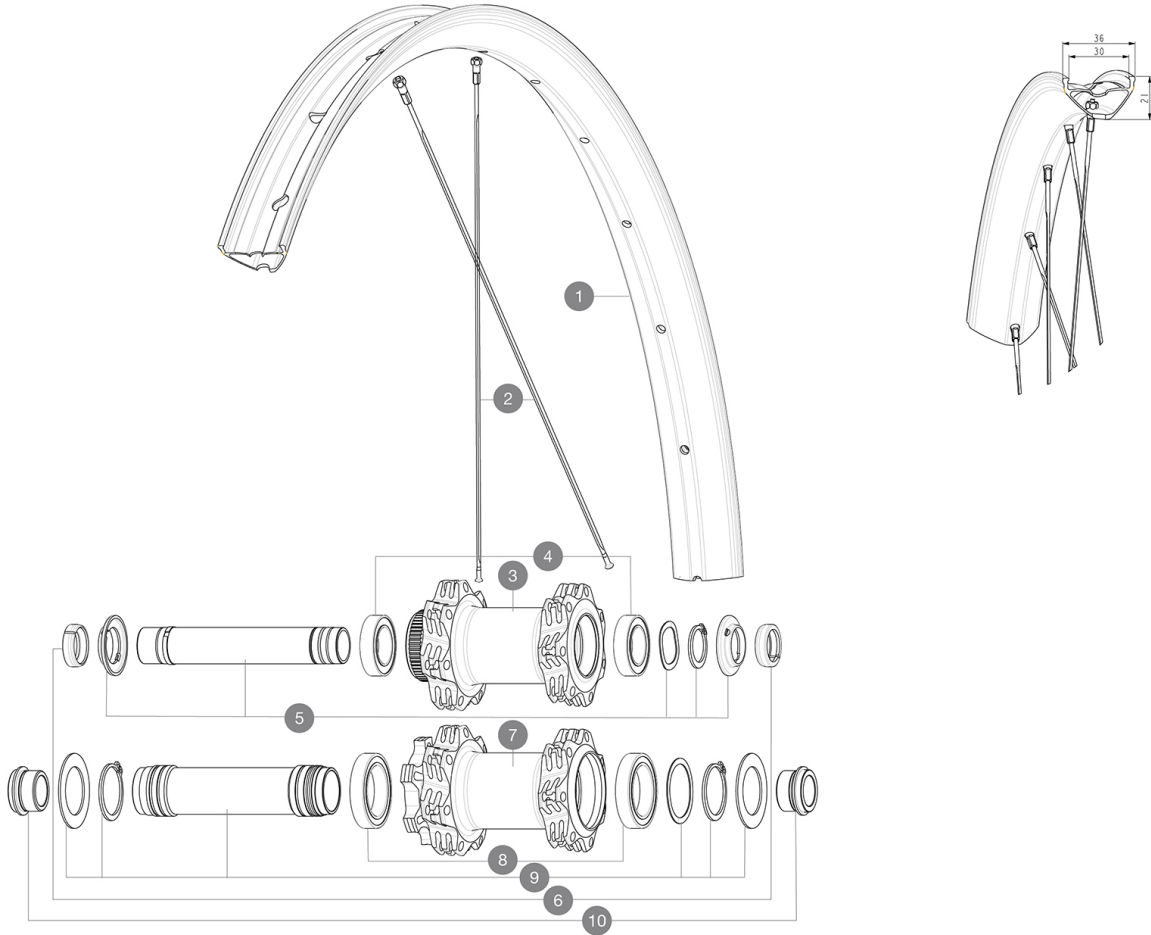


参照ホイール

F92741	E-DEEMAX 30 INT 29 BST	F92751	E-DEEMAX 30 CL 29 BST
--------	------------------------	--------	-----------------------

ASTM E1000 5 :
 30mm wide rim
 Maximum tyre pressure: 2.95bar/43PSI with a 52mm tyre - 1.55bar/22PSI with a 125mm tyre
 52mm - 2.95Bar/43PSI



RIMS



 :

1	V3766915	Kit Front/Rear rim eDeemax 30 29"
	V3750101	35mm UST Green Tape for 30mm wide rims

SPOKES

2	V2389501	Kit 14 Front eDeemax 29" flat spoke 303 + nipple
---	----------	--

HUB SHELLS

3	N/A	HUB BODY
4	V2500901	KIT BEARINGS 18x30x7 + WAVED WASHER + CLIP
5	V2375601	Kit 110mm axle QRM auto MTB from 2019 DCL
7	N/A	HUB BODY
8	M40179	FRONT BEARING 25x37x7 20mm AXLE
9	V2373701	KIT 20x110mm BOOST AXLE QRM AUTO MTB > 2019

OPTIONS

V2650401	TORQUECAP20*31 FT QRM AUTO MTB
V2374401	TORQUE CAPS 15*31 Adapter MTB QRM Auto > 2019 Frit HUB

ADAPTERS

6	V2372501	15mm MTB Axle Cap QRM Auto From 2019
10	12982801	15mm ADAPTER KIT - 2012 WHEELS
	V2680401	20x110 BOOST Front Adapter MTB wheels
	99694101	2 REDUCERS 15/9mm

付属品

Table with 2 columns: Part Name and Quantity. Rows include items like UST, 2x, and 4x components.

COMPATIBILITY

Table with 2 columns: Component Name and Compatibility Details. Rows describe various rim and hub compatibility.

Specifications

リム

Technical specifications for the rim, including dimensions, weight, and material details.

ホイールハブ

Technical specifications for the wheel hub, including dimensions, weight, and material details.

ホイールの重み

1035