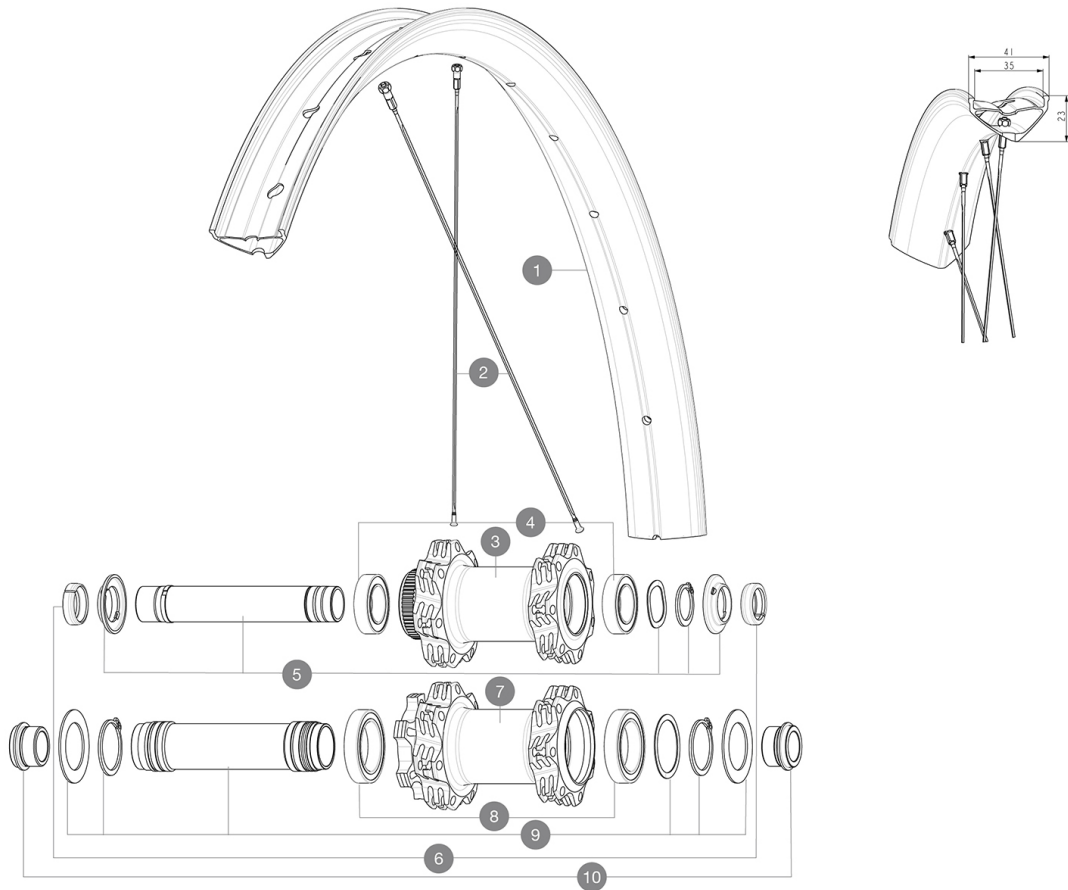


参照ホイール

F92911 E-DEEMAX 35 INT 27,5 BST      F92921 E-DEEMAX 35 CL 27,5 BST

ASTM E1000 5 :  
 40mm UST Tape For 35mm Wide Rims  
 Maximum tyre pressure: 2.55bar/37PSI with a 54mm tyre - 1.3bar/19PSI with a 125mm tyre  
 64mm-  
 1.3Bar/19PSI



**RIMS**



&NBSP;:

1	V3766815	Kit Front/Rear rim eDeemax 35 27,5"
	V3710101	40mm UST Tape For 35mm Wide Rims

**SPOKES**

2	V2389201	Kit 14 Front eDeemax 27,5" butted spoke 284 + nipple
---	----------	--

**HUB SHELLS**

3	N/A	HUB BODY
4	V2500901	KIT BEARINGS 18x30x7 + WAVED WASHER + CLIP
5	V2375601	Kit 110mm axle QRM auto MTB from 2019 DCL
7	N/A	HUB BODY
8	M40179	FRONT BEARING 25x37x7 20mm AXLE
9	V2373701	KIT 20x110mm BOOST AXLE QRM AUTO MTB > 2019

**OPTIONS**

V2650401	TORQUECAP20*31 FT QRM AUTO MTB
V2374401	TORQUE CAPS 15*31 Adapter MTB QRM Auto > 2019 Frit HUB

**ADAPTERS**

6	V2372501	15mm MTB Axle Cap QRM Auto From 2019
10	12982801	15mm ADAPTER KIT - 2012 WHEELS
	V2680401	20x110 BOOST Front Adapter MTB wheels
	99694101	2 REDUCERS 15/9mm

