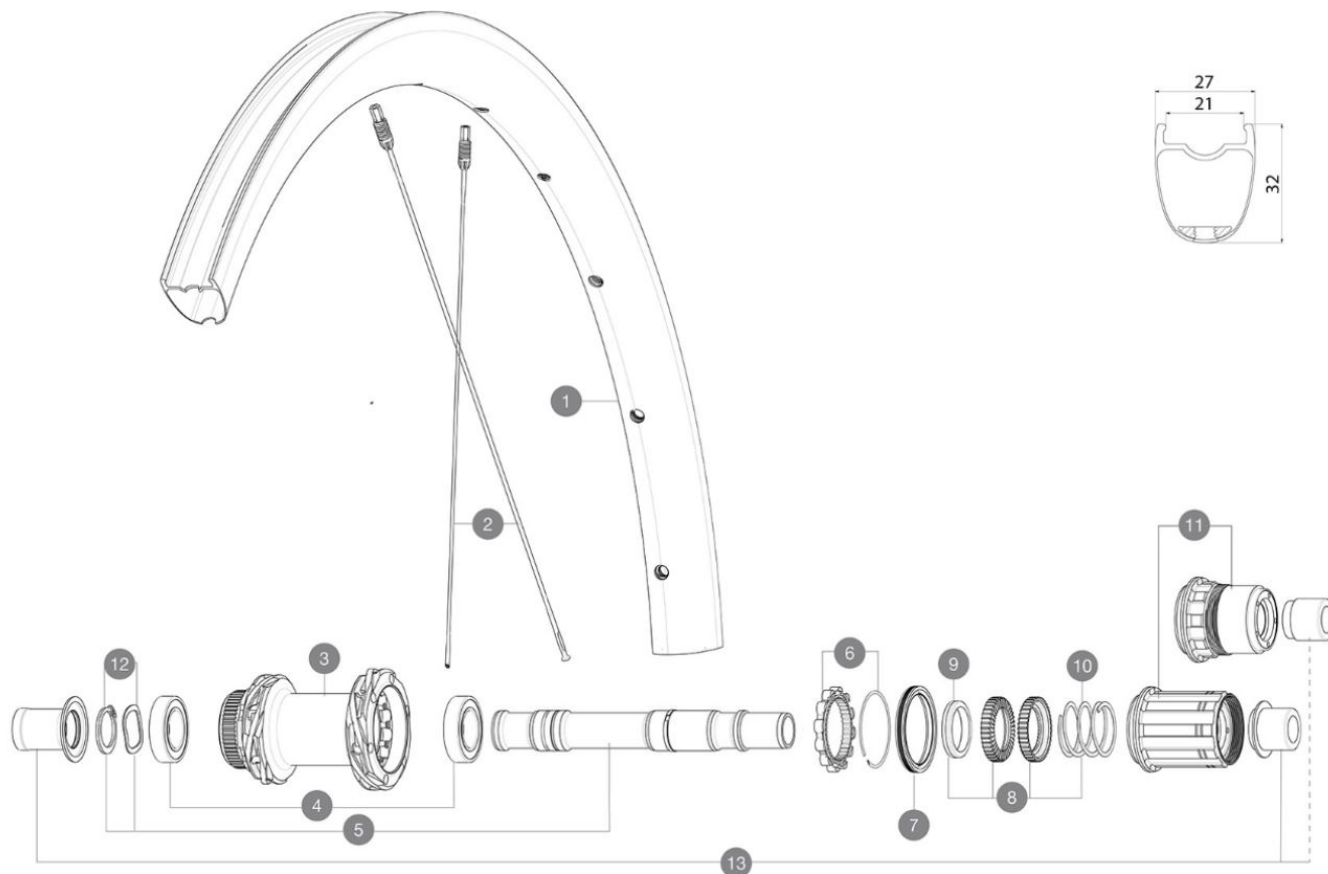


参照ホイール

ASTM CATEGORY 2 : road and offroad with jumps less than 15cm
 For a longer longevity of the wheel, Mavic recommends that the total weight supported by the wheels doesn't exceed 120kg, bike included
 Recommended tire sizes: 25 to 32 mm
 Max. Pressure: see indication on wheel and tire. If they differ, use the lowest of the 2



RIMS



&NBSP;:

1	V00063431	Kit Front/Rear rim Cosmic SLR32 Ltd
---	-----------	-------------------------------------

SPOKES

2	V4164801	Kit 12 CosmicSLR32 Disc aero sspk M6 291
---	----------	--

HUB SHELLS

3	N/A	HUB BODY
3	N/A	HUB BODY
4	M40076	HUB BEARINGS 17x30x7 6903 x 2
5	V00046431	KIT AXE ID360 142LIGHT CL+CIR
6	V2252701	KIT ID360 INSERT SHAPED EAR LOBE > 2017
7	V00063631	Kit ID360 seal version 2 (larger)
8	V2251701	ID360 2 RATCHETS + SPRING + GREASE
9	V2500501	Kit 3 ID360 pad for noise reduction
10	V2251801	KIT 3 ID360 ROAD SPRINGS
11	V3430101	HG11 Freewheel Body ID360
11	V2580101	FREEHUB BODY XD Road ID360
12	V2373001	KIT ADJUST. SYSTEM QRM AUTO ID360 for 17x30x7 bearing

OPTIONS

V2373401	KIT ID360 135/142 DCL L1 AXLE WITH CLIP
----------	---

ADAPTERS

13	V3811001	KIT ROAD ID360 RR CL ENDCAP (12MM)
	V2510801	ID360 EVO REAR AXLE ADAPTERS 9x135mm DCL & D6T
	V2510901	ID360 EVO REAR AXLE ADAPTERS 12x135mm DCL & D6T



COSMIC SLR 32 LTD

付属品

UST valve and accessories (129 838 01)	
User guide	

COMPATIBILITY

Freewheel: Shimano/Sram, convertible to Campagnolo ED11, N3W and XD-R with optional driver bodies	
Rear axle: 12mm thru axle, convertible to Quick Release with optional adapters and axle replacement	
Front axle: 12x100 thru axle, easily convertible to quick release with optional adapters. Not compatible with 15mm through axles	

Specifications

リム

- Material : 100% carbon fiber with UD² external layer
- Material : 100% carbon fiber
- Height : 32mm
- Disc brake specific profile
- Tire : UST Tubeless and tubetype
- Internal width : 21 mm
- ETRTO size : 622x21TC
- Fore Carbon tapeless tubeless technology
- UST tubeless technology

スポーク

- Material : steel
- Shape : straight pull, elliptical aero, double butted (patented)
- Nipples : Fore integrated aluminum
- Count : 24 front and rear
- Lacing : front and rear crossed 2, contactless

ホイールハブ

- Front and rear bodies : aluminum
- Axle material : aluminum
- Front : Quick release and 12x100 through axle compatible
- Rear : Quick Release, 12x142 and 12x135 compatible
- Infinity hubs

VERSIONS

- Disc standard : Center Lock[®] only
- Freewheel : Shimano/Sram

ホイールの重み

760