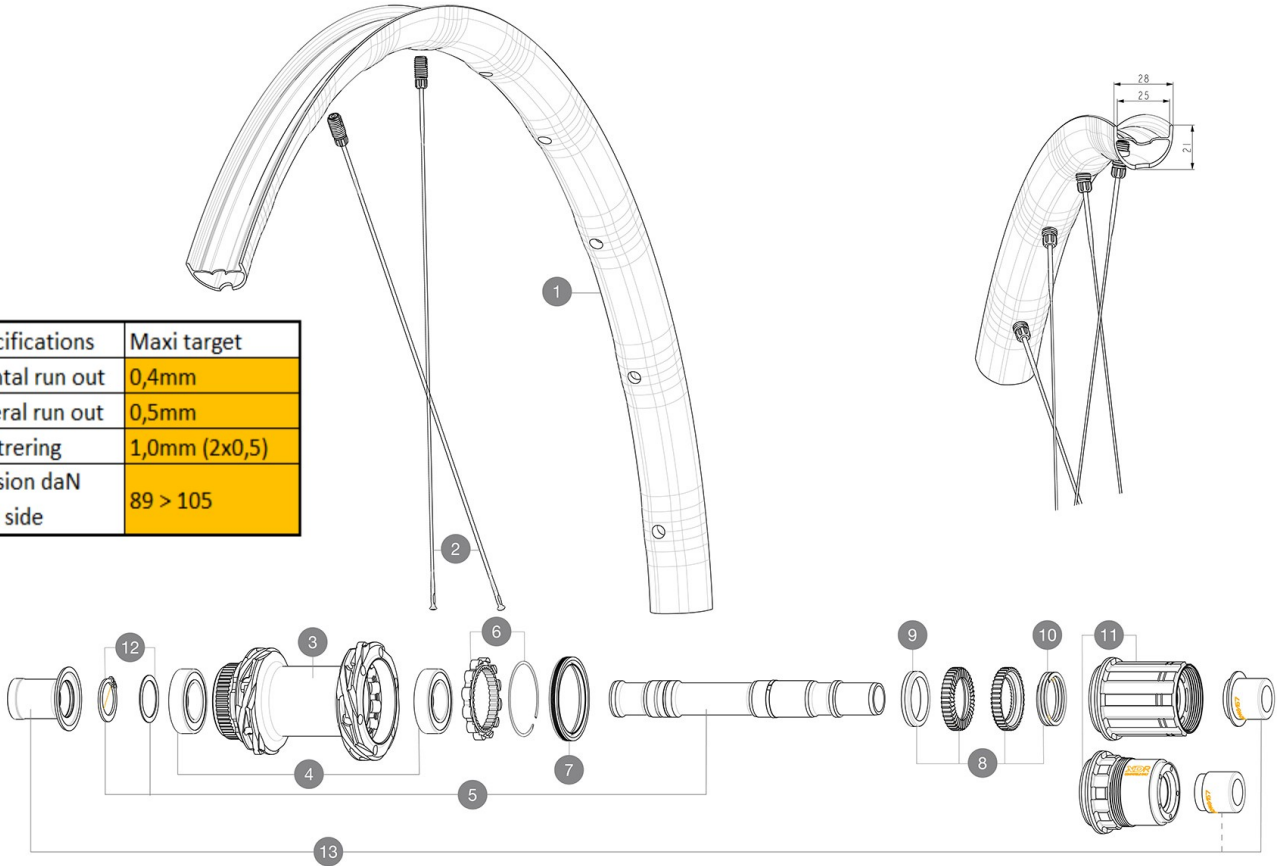


参照ホイール

ASTM E1116 2016 12x135mm V2510901 (V2374401) HG9a

Specifications	Maxi target
Frontal run out	0,4mm
Lateral run out	0,5mm
Centreing	1,0mm (2x0,5)
Tension daN Disc side	89 > 105



### RIMS



&NBSP;:

- 1 V00097431 Kit Front/Rear rim Allroad SL 23

### SPOKES

- 2 V4162501 Kit 12 Front/Rear Allroad SL aero spoke 298 M7/7

### HUB SHELLS

- 3 N/A HUB BODY
- 4 M40076 HUB BEARINGS 17x30x7 6903 x 2
- 5 V00046431 KIT AXE ID360 142LIGHT CL+CIR
- 6 V2252701 KIT ID360 INSERT SHAPED EAR LOBE > 2017
- 7 V2251601 ID360 SEAL + GREASE
- 8 V2251701 ID360 2 RATCHETS + SPRING + GREASE
- 9 V2500501 Kit 3 ID360 pad for noise reduction
- 10 V2251801 KIT 3 ID360 ROAD SPRINGS
- 11 V3430101 HG11 Freewheel Body ID360
- 11 V2580101 FREEHUB BODY XD Road ID360
- 12 V2373001 KIT ADJUST. SYSTEM QRM AUTO ID360 for 17x30x7 bearing

### OPTIONS

- V2510801 ID360 EVO REAR AXLE ADAPTERS 9x135mm DCL & D6T
- V2510901 ID360 EVO REAR AXLE ADAPTERS 12x135mm DCL & D6T
- V2373401 KIT ID360 135/142 DCL L1 AXLE WITH CLIP

### ADAPTERS

- 13 V3811001 KIT ROAD ID360 RR CL ENDCAP (12MM)

