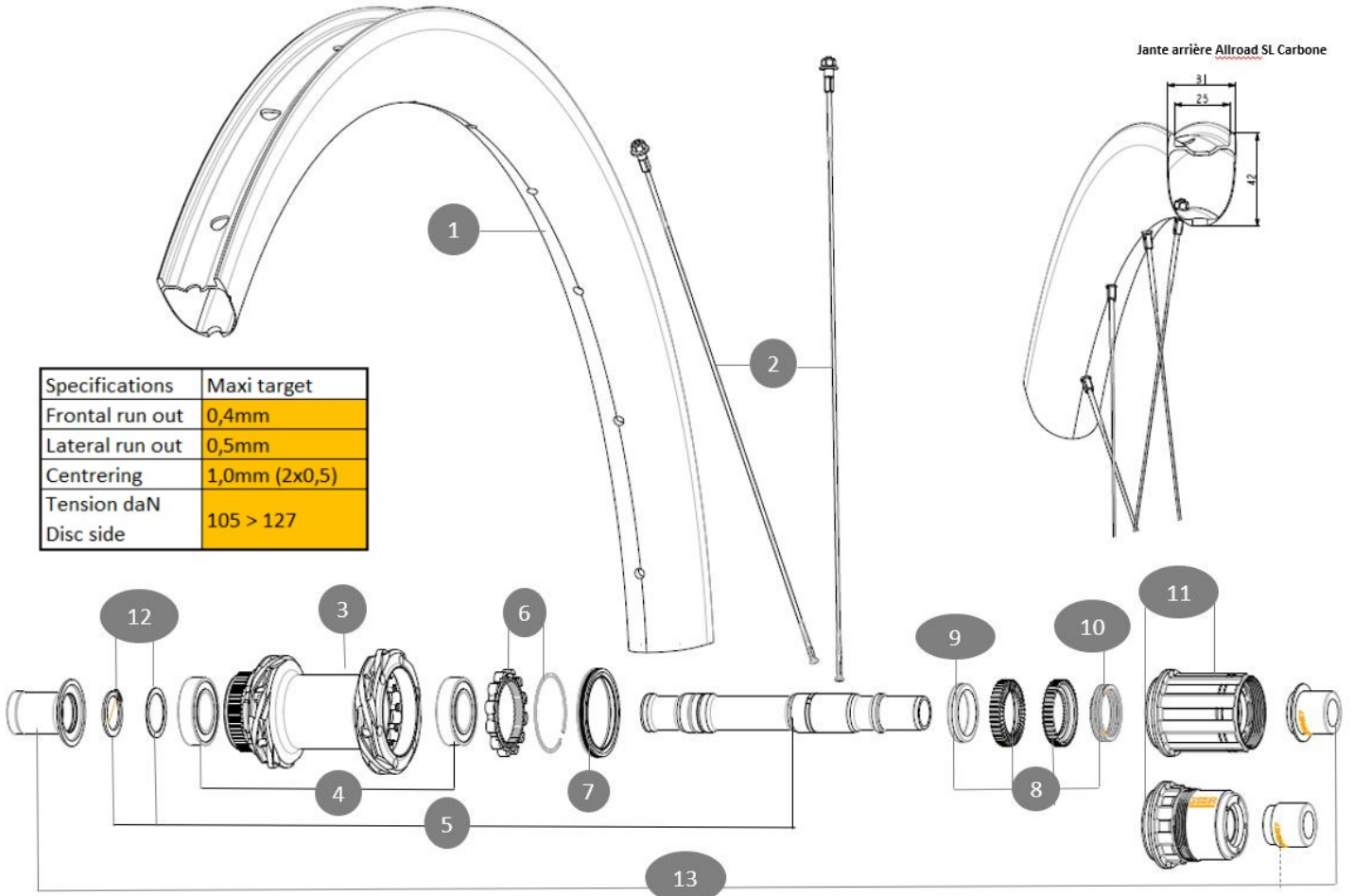


参照ホイール

ASTM E1000 2 : 2015
 15mm x 12mm x 135mm
 12x135mm
 [V2510901]
 (V2374401)



Specifications	Maxi target
Frontal run out	0,4mm
Lateral run out	0,5mm
Centring	1,0mm (2x0,5)
Tension daN Disc side	105 > 127

RIMS



- 1 V00104731 KIT FT/RR RIM ALRD SL CARBON

SPOKES

- 2 V00104631 Kit 12 Front/Rear Allroad SL Carbon spoke 278mm

HUB SHELLS

3	N/A	HUB BODY
4	M40076	HUB BEARINGS 17x30x7 6903 x 2
5	V00046431	KIT AXE ID360 142LIGHT CL+CR
6	V2252701	KIT ID360 INSERT SHAPED EAR LOBE > 2017
7	V2251601	ID360 SEAL + GREASE
8	V2251701	ID360 2 RATCHETS + SPRING + GREASE
9	V2500501	Kit 3 ID360 pad for noise reduction
10	V2251801	KIT 3 ID360 ROAD SPRINGS
11	V2580101	FREEHUB BODY XD Road ID360
11	V3430101	HG11 Freewheel Body ID360
12	V2373001	KIT ADJUST. SYSTEM QRM AUTO ID360 for 17x30x7 bearing

OPTIONS

V2510801	ID360 EVO REAR AXLE ADAPTERS 9x135mm DCL & D6T
V2510901	ID360 EVO REAR AXLE ADAPTERS 12x135mm DCL & D6T
V2373401	KIT ID360 135/142 DCL L1 AXLE WITH CLIP

ADAPTERS

- 13 V3811001 KIT ROAD ID360 RR CL ENDCAP (12MM)

