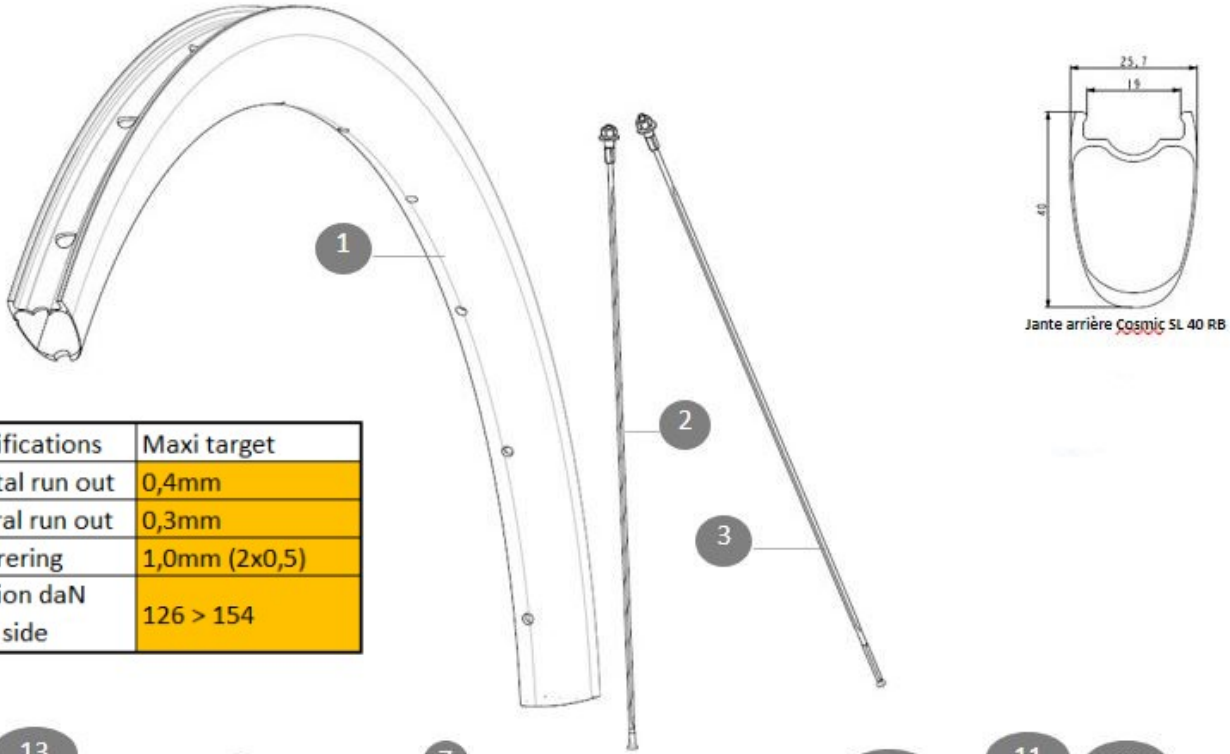


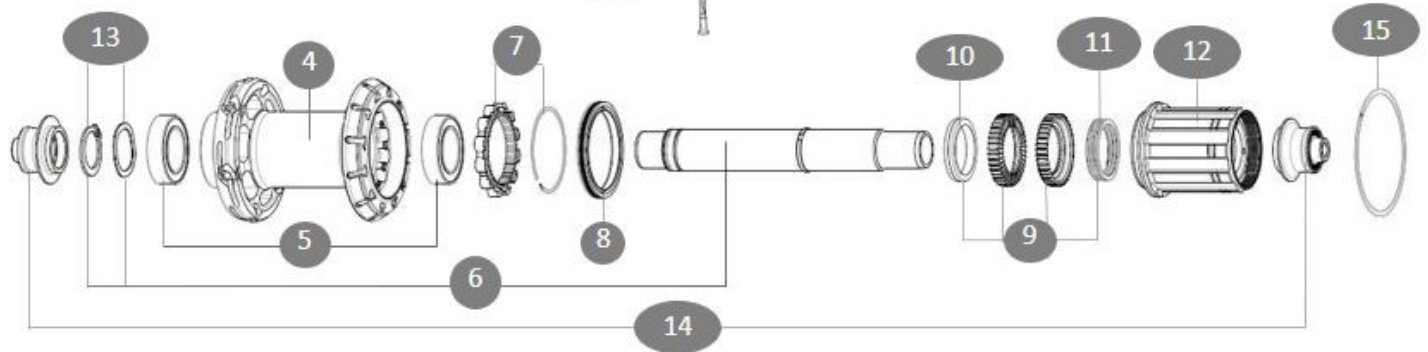
MAVIC COSMIC SL 40 BG

参照ホイール

ASTM E1300 1: 120mm 62mm 3.8Bar/55PSI



Specifications	Maxi target
Frontal run out	0,4mm
Lateral run out	0,3mm
Centring	1,0mm (2x0,5)
Tension daN FWB side	126 > 154



RIMS



&NBSP;:

V4092713	Kit Rear rim Cosmic SL 40 RB
V3720101	25mm UST Tape for 19 to 22mm Road Rims

SPOKES

V4161601	Kit 12 rear DS butted stainless spoke 260mm Com Pro Carbon U
V4162801	Kit 12 rear NDS Cosmic SL 40 RB butted stainless spoke 280mm

HUB SHELLS

4	N/A	HUB BODY
5	V2560401	KIT ID360 2 BEARINGS 17x28x7 + CIRCLIP + WAVED WASHER (QRM)
6	V2252801	KIT ID360 UB REAR WHEEL AXLE WITH CIRCLIP/WAVE WASHER
7	V2252701	KIT ID360 INSERT SHAPED EAR LOBE > 2017
8	V2251601	ID360 SEAL + GREASE
9	V2251701	ID360 2 RATCHETS + SPRING + GREASE
10	V2500501	Kit 3 ID360 pad for noise reduction
11	V2251801	KIT 3 ID360 ROAD SPRINGS

12	V3430101	HG11 Freewheel Body ID360
13	V2560501	KIT ADJUST. SYSTEM QRM AUTO ID360 for 17x28x7 bearing
15	V2252201	KIT 2 REAR HUB RETENTION RINGS 48mm

ADAPTERS

14	V2253101	KIT REAR AXLE ADAPTOR QUICK RELEASE ID360
----	----------	---

付属品

Table listing accessories for the Cosmic SL 40 BG, including items like MAVIC cables, V24 cables, UST cables, and various adapters.

COMPATIBILITY

Table detailing compatibility for various components such as SRAM, SHIMANO HG, SHIMANO MS, CAMPAGNOLO EDI, CAMPAGNOLO N3W, and various axle standards like 12x100mm, 12x130mm, and 12x150mm.

Specifications

リム

Technical specifications for the rim, including weight (100g), width (40mm), depth (19mm), and material details.

スポーク

Technical specifications for the spokes, including weight (18g), material, and length details.

ホイールハブ

Technical specifications for the wheel hub, including weight (130g), material, and compatibility with different axle standards.

ホイールの重み