

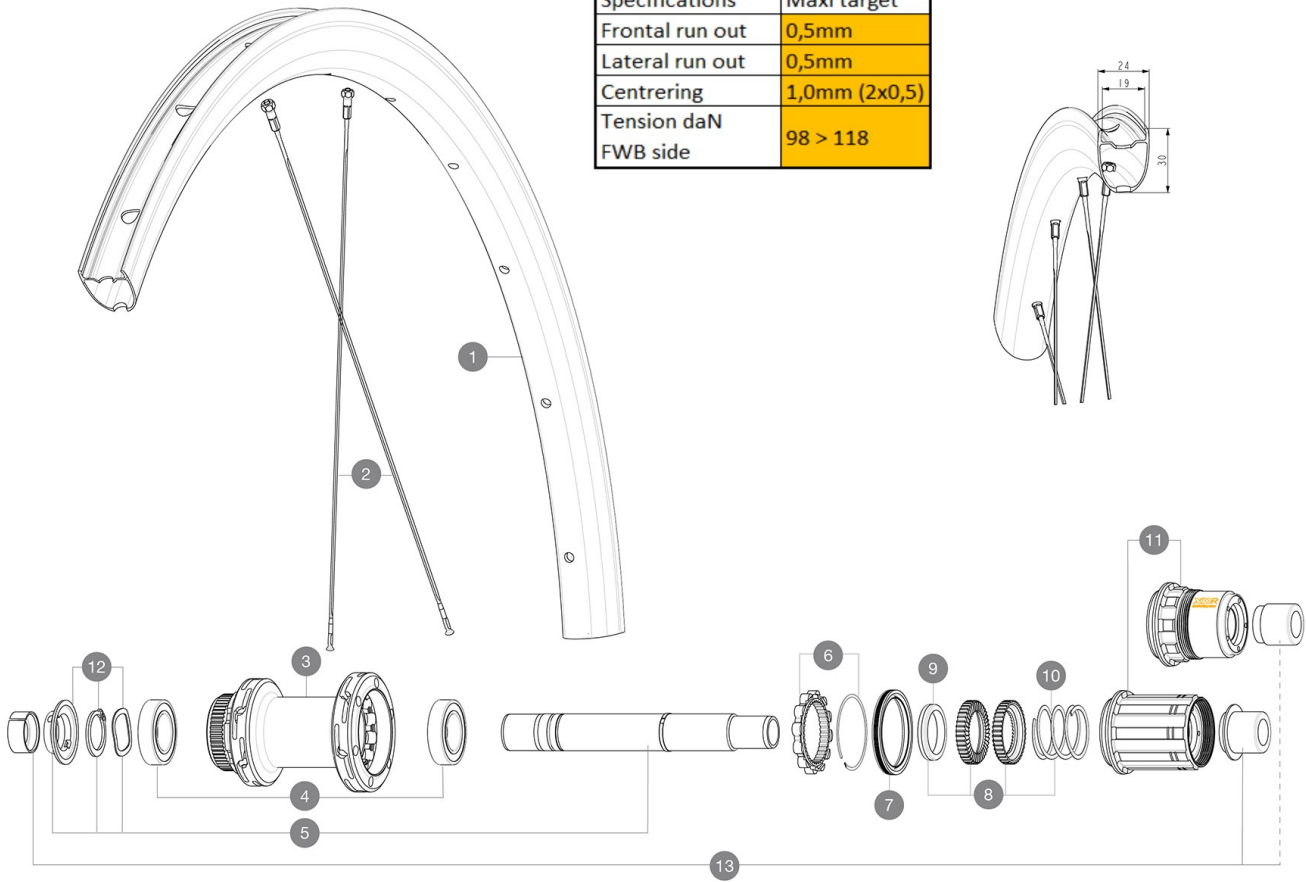


KSYRIUM 30 DISC

参照ホイール

ASTM E1000 2: 15mm 1.2mm 1.0mm 98 > 118 daN 62mm 3.8Bar/55PSI

Specifications	Maxi target
Frontal run out	0,5mm
Lateral run out	0,5mm
Centring	1,0mm (2x0,5)
Tension daN FWB side	98 > 118



RIMS



- 1 V00104531 Kit Front/Rear rim Ksyrium 30 Disc 2024
- V3720101 25mm UST Tape for 19 to 22mm Road Rims

SPOKES

- 2 V00005131 Kit 12 Front/Rear Ksyrium 30 Disc butted spoke 287mm + black

HUB SHELLS

- 3 N/A HUB BODY
- 4 M40076 HUB BEARINGS 17x30x7 6903 x 2
- 5 V2373401 KIT ID360 135/142 DCL L1 AXLE WITH CLIP
- 6 V2252701 KIT ID360 INSERT SHAPED EAR LOBE > 2017
- 8 V2251701 ID360 2 RATCHETS + SPRING + GREASE
- 9 V2500501 Kit 3 ID360 pad for noise reduction
- 10 V2251801 KIT 3 ID360 ROAD SPRINGS
- 11 V3430101 HG11 Freewheel Body ID360
- 11 V2580101 FREEHUB BODY XD Road ID360
- 12 V2373001 KIT ADJUST. SYSTEM QRM AUTO ID360 for 17x30x7 bearing

OPTIONS

- V2510901 ID360 EVO REAR AXLE ADAPTERS 12x135mm DCL & D6T
- V2510801 ID360 EVO REAR AXLE ADAPTERS 9x135mm DCL & D6T

ADAPTERS

- 13 V2510701 ID360 EVO REAR AXLE ADAPTERS 12x142mm DCL & D6T

付屬品

MAVIC 30 碟刹 (355 466 01)	
30 碟刹 30 碟刹	
QR 碟刹 碟刹	
360 碟刹 (B49 894 01)	
UST 碟刹 (129 838 01)	
碟刹	
碟刹	
碟刹	
碟刹	
UST 碟刹 (129 838 01)	
QR 碟刹 碟刹	
360 碟刹 (B49 894 01)	
碟刹 碟刹 碟刹	

COMPATIBILITY

SRAM XD 碟刹 SRAM XD 碟刹 V2580101 碟刹	
SRAM XD 碟刹 SRAM XD 碟刹 V2580101 碟刹	
SHIMANO HG 碟刹 SHIMANO HG 碟刹 V3850101 碟刹	
SHIMANO HG 碟刹 SHIMANO HG 碟刹 V3850101 碟刹	
SHIMANO MS 碟刹 SHIMANO MS 碟刹 V3990101 碟刹	
SHIMANO MS 碟刹 SHIMANO MS 碟刹 V3990101 碟刹	
CAMPAGNOLO EDI 碟刹 CAMPAGNOLO EDI 碟刹 V3440101 碟刹	
CAMPAGNOLO EDI 碟刹 CAMPAGNOLO EDI 碟刹 V3440101 碟刹	
CAMPAGNOLO N3W 碟刹 CAMPAGNOLO N3W 碟刹 V4270101 碟刹	
CAMPAGNOLO N3W 碟刹 CAMPAGNOLO N3W 碟刹 V4270101 碟刹	
ID360 碟刹 ID360 碟刹 V3990101 碟刹	
ID360 碟刹 XD 碟刹 V3740101 碟刹	
碟刹 碟刹 碟刹	
FTS-L 碟刹 碟刹 碟刹	
ID360 碟刹 XD 碟刹 碟刹	