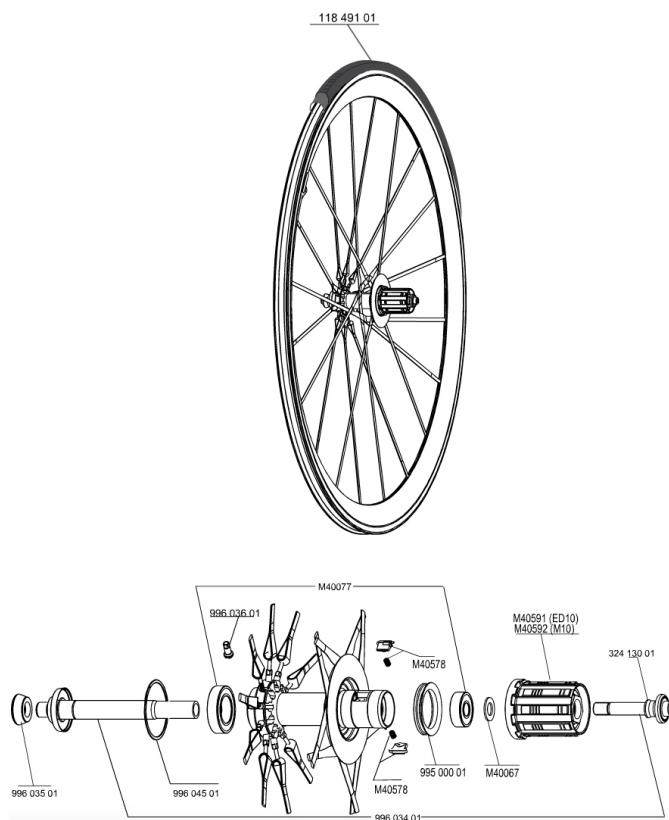


参照ホイール

118078	COSMIC CARB ULTI 011ED11	118410	COSMIC CARB ULTI011 M10 WTS
118079	WTS COSMIC CARB ULTI011M10PR WTS	118411	COSMIC CARB ULTI011ED11PR WTS



SPOKES

99603601	R.NIPPLES COS.CARB.ULTIMATE
----------	-----------------------------

HUB SHELLS

99603501	R.FORK SUPPORT COS.CARB.ULTIMATE
32413001	REAR AXLE BOLT M10/ED10
M40591	FTSL FREEWHEEL BODY ED10
99603401	REAR AXLE COS.CARBONE ULTIMATE
99500001	FTSL/FTSX FREEHUB BODY SEAL
M40578	FTSL PAWLS KIT (ROAD WHEELS)
99604501	2 R.HUB RING COS.CARB.ULTIMATE
M40077	REAR HUB 608+6901 BEARINGS
M40592	FTSL FREEWHEEL BODY M10
M40067	10 SPACERS FRW/HUB BODY

TYRES

11849101	Yksion PowerLink Tubular 23
----------	-----------------------------



Cosmic Carbone Ultimate 11

付属品

<p>付属品</p>	
<p>付属品</p>	
<p>付属品</p>	
<p>付属品</p>	

Specifications

リム
 100% 12Kカーボン
 40mm
 6.5mm
 28" 19mm

スポーク
 R2R
 ABS
 20mm
 12mm

ホイールハブ
 100%カーボン
 QRM+
 FTS-L

ホイールの重み