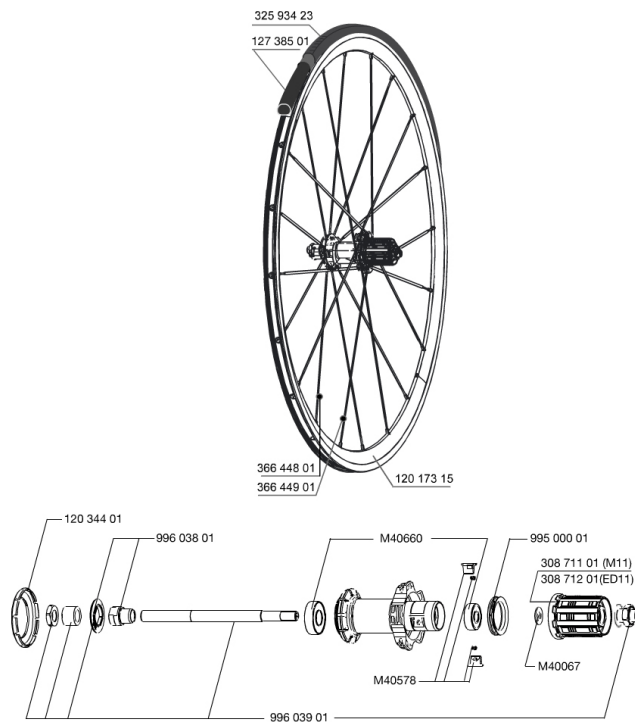


参照ホイール

328207 COSMIC ELITE S ED11 WTS

328206 COSMIC ELITE S M11 WTS



RIMS



&NBSP;:

1	12017315	KIT FRONT/REAR COSMIC ELITE RIM - while stock last
---	----------	--

SPOKES

2	36644801	10 BLK AERO SPOKES FRONT/NON DRIVE SIDE COSMIC ELITE
3	V3660101	10 BLK DS COSMIC ELITE UST BUTTED SPOKE 292mm
3	36644901	10 BLK AERO SPOKES DRIVE SIDE COSMIC ELITE 292mm -while stock

HUB SHELLS

4	N/A	HUB BODY
5	M40660	REAR HUB 608+6001 BEARINGS
6	99500001	FTSL/FTSX FREEHUB BODY SEAL
7	M40067	10 SPACERS FRW/HUB BODY
8	30871101	FTS-L FREEWHEEL BODY HG11 2013 (8 or 9mm axle compatible)
9	30871201	FTS-L FREEWHEEL BODY ED11 2013 (8 or 9mm axle compatible)
10	99603901	REAR AXLE KSYRIUM EQUIPE 08
11	99603801	SHORT EXPENSIBLE BEARING SUPPORTS > 2008
12	12034401	KIT 3 HUB CAPS AERO 10 SLOTS BLACK
13	M40578	FTSL PAWLS KIT (ROAD WHEELS)



Cosmic Elite S

付属品

BR101 Â¿Â¿Â¿Â¿Â¿Â¿Â¿Â¿Â¿Â¿Â¿Â¿Â¿Â¿	
Â¿Â¿Â¿Â¿Â¿Â¿Â¿Â¿	
Â¿Â¿Â¿Â¿Â¿Â¿Â¿Â¿	

Specifications

リム

- Â¿Â¿ : 6106 Â¿Â¿Â¿Â¿Â¿Â¿Â¿
- Â¿Â¿Â¿Â¿ 30 mm
- Â¿Â¿Â¿Â¿Â¿Â¿Â¿ SUP
- Â¿Â¿Â¿Â¿Â¿Â¿Â¿ Â¿Â¿Â¿Â¿Â¿Â¿Â¿
- Â¿Â¿Â¿Â¿Â¿Â¿Â¿ UBÂ¿Â¿Â¿Â¿Â¿
- Â¿Â¿Â¿Â¿Â¿Â¿Â¿ 6.5 mm
- Â¿Â¿Â¿Â¿Â¿Â¿Â¿Â¿Â¿
- ETRTO Â¿Â¿Â¿Â¿ 622x15C
- Â¿Â¿Â¿Â¿Â¿Â¿Â¿Â¿Â¿ 19Â¿ 32 mm

スポーク

- Â¿Â¿Â¿Â¿Â¿Â¿Â¿Â¿
- Â¿Â¿Â¿ Â¿Â¿Â¿Â¿Â¿Â¿Â¿Â¿Â¿Â¿
- Â¿Â¿Â¿Â¿Â¿ Â¿Â¿Â¿ABS
- Â¿Â¿Â¿Â¿ Â¿Â¿Â¿Â¿Â¿Â¿Â¿ 20Â¿
- Â¿Â¿Â¿Â¿Â¿Â¿Â¿Â¿ Â¿Â¿Â¿Â¿Â¿Â¿Â¿
- Â¿Â¿Â¿/Â¿Â¿Â¿Â¿Â¿Â¿Â¿Â¿/2Â¿Â¿Â¿

ホイールハブ

- Â¿Â¿Â¿Â¿/Â¿Â¿Â¿Â¿Â¿Â¿Â¿Â¿
- Â¿Â¿Â¿Â¿
- QRM
- FTS-LÂ¿Â¿Â¿Â¿

ホイールの重み

ホイール重量 (クイックリリー-スおよびクリンチャー/チューブラーを除く) (g) : 955