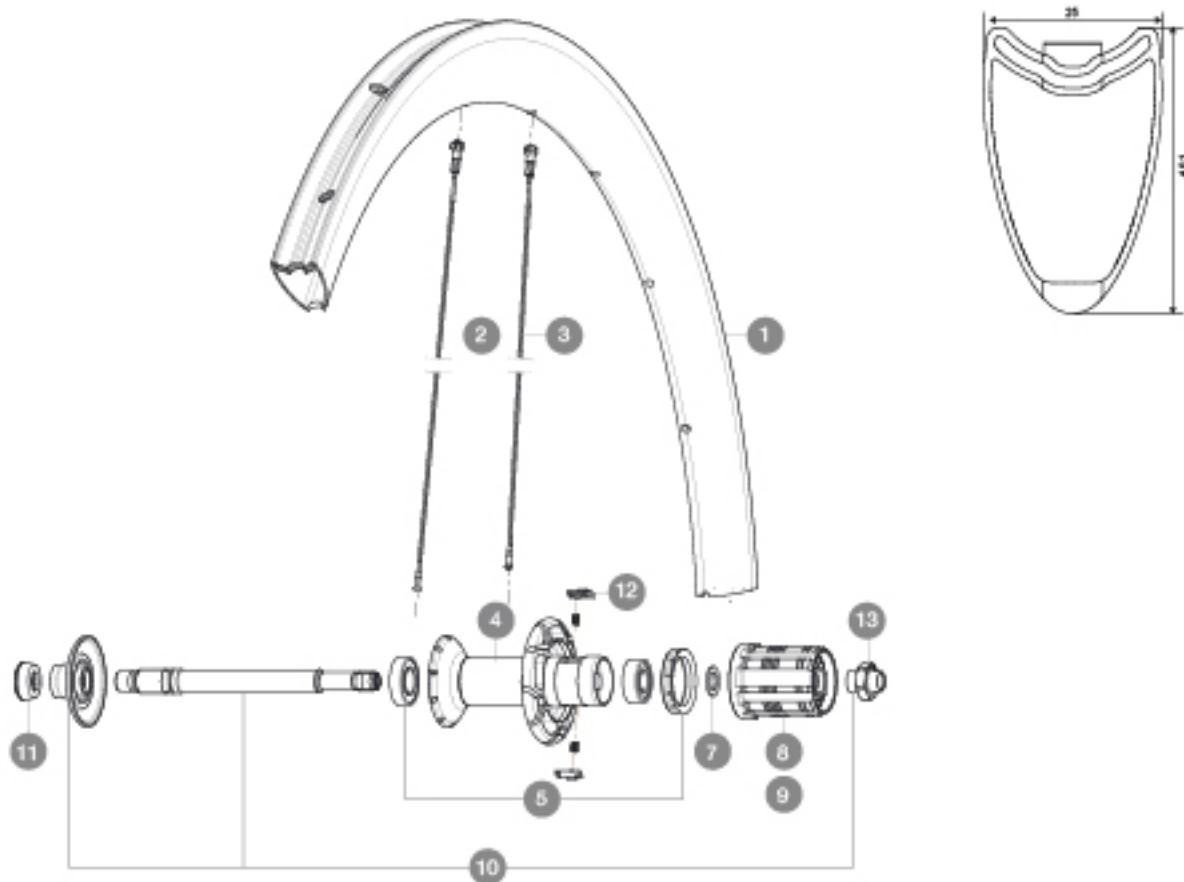


参照ホイール

328185 COSMIC CARBONE 40 Tub ED11 WTS

328184 COSMIC CARBONE 40 Tub M11 WTS



RIMS



&NBSP;:

1	36645613	REAR RIM CC 40 T
---	----------	------------------

SPOKES

2	36645101	10 BLK AERO SPOKES FRONT/NON DRIVE SIDE CC 40 T 272mm
3	36645001	10 BLK AERO SPOKES DRIVE SIDE CC 40 T 270mm

HUB SHELLS

4	N/A	HUB BODY
5	33000001	REAR HUB B9+6901 BEARINGS 2013
6	99500001	FTSL/FTSX FREEHUB BODY SEAL
7	30872801	SET OF 3 INTERNAL SILVER SPACERS 9mm FTS-L 2013
8	30871101	FTS-L FREEWHEEL BODY HG11 2013 (8 or 9mm axle compatible)
9	30871201	FTS-L FREEWHEEL BODY ED11 2013 (8 or 9mm axle compatible)
10	V2250301	KIT REAR AXLE AERO HUB CXR/CC40/CC SLS/CC SLE/COSMIC PRO CAR
12	M40578	FTSL FREEHUBS KIT (ROAD WHEELS)
13	V2373101	KIT NUT FOR ROAD ALLOY THROUGH AXLE 9mm

ADAPTERS

11	35117301	FRONT OR REAR FORK REST KIT R-SYS 2013
----	----------	--

MAVIC Cosmic Carbone 40 T

付属品

BR601 Â¿Â¿Â¿Â¿Â¿Â¿Â¿Â¿Â¿Â¿Â¿Â¿	
Â¿Â¿Â¿Â¿Â¿Â¿Â¿	
Â¿Â¿Â¿Â¿Â¿Â¿Â¿Â¿Â¿Â¿	
Â¿Â¿Â¿Â¿Â¿Â¿Â¿Â¿Â¿Â¿Â¿Â¿ Â¿Â¿Â¿Â¿Â¿Â¿Â¿Â¿	
Â¿Â¿Â¿Â¿Â¿Â¿Â¿	
Â¿Â¿Â¿Â¿Â¿Â¿Â¿	

Specifications

リム

•Â¿Â¿ : 100% Â¿Â¿Â¿Â¿Â¿Â¿Â¿Â¿Â¿Â¿Â¿Â¿
Â¿Â¿Â¿Â¿Â¿Â¿Â¿Â¿
Â¿Â¿Â¿Â¿ 40 mmÂ¿Â¿Â¿Â¿Â¿Â¿Â¿Â¿Â¿
Â¿Â¿Â¿Â¿Â¿Â¿Â¿ Â¿Â¿Â¿Â¿Â¿Â¿Â¿
Â¿Â¿Â¿Â¿Â¿Â¿Â¿ Â¿Â¿Â¿Â¿
Â¿Â¿Â¿Â¿Â¿Â¿Â¿ 6.5 mm
Â¿Â¿Â¿Â¿Â¿Â¿Â¿
ETRTO Â¿Â¿Â¿Â¿ 28" Â¿Â¿Â¿Â¿
Â¿Â¿Â¿Â¿Â¿Â¿Â¿ 19Â¿32 mm

スポーク

Â¿Â¿Â¿Â¿Â¿Â¿
Â¿Â¿Â¿Â¿ Â¿Â¿Â¿Â¿Â¿Â¿Â¿Â¿Â¿
Â¿Â¿Â¿Â¿Â¿
Â¿Â¿Â¿Â¿Â¿ ABS
Â¿Â¿Â¿ Â¿Â¿Â¿Â¿ 16Â¿Â¿ 20Â¿
Â¿Â¿Â¿Â¿Â¿Â¿Â¿ Â¿Â¿Â¿Â¿
Â¿Â¿/Â¿Â¿Â¿Â¿Â¿Â¿

ホイールハブ

Â¿Â¿Â¿Â¿/Â¿Â¿Â¿Â¿
Â¿Â¿Â¿Â¿
/Â¿Â¿Â¿Â¿/Â¿Â¿Â¿
Â¿Â¿Â¿/Â¿Â¿Â¿/Â¿Â¿
Â¿Â¿
QRM+
FTS-LÂ¿Â¿Â¿

ホイールの重み

ホイール重量 (クイックリリース
スおよびクリンチャー/チュー
ブラーを除く) (g) : 800