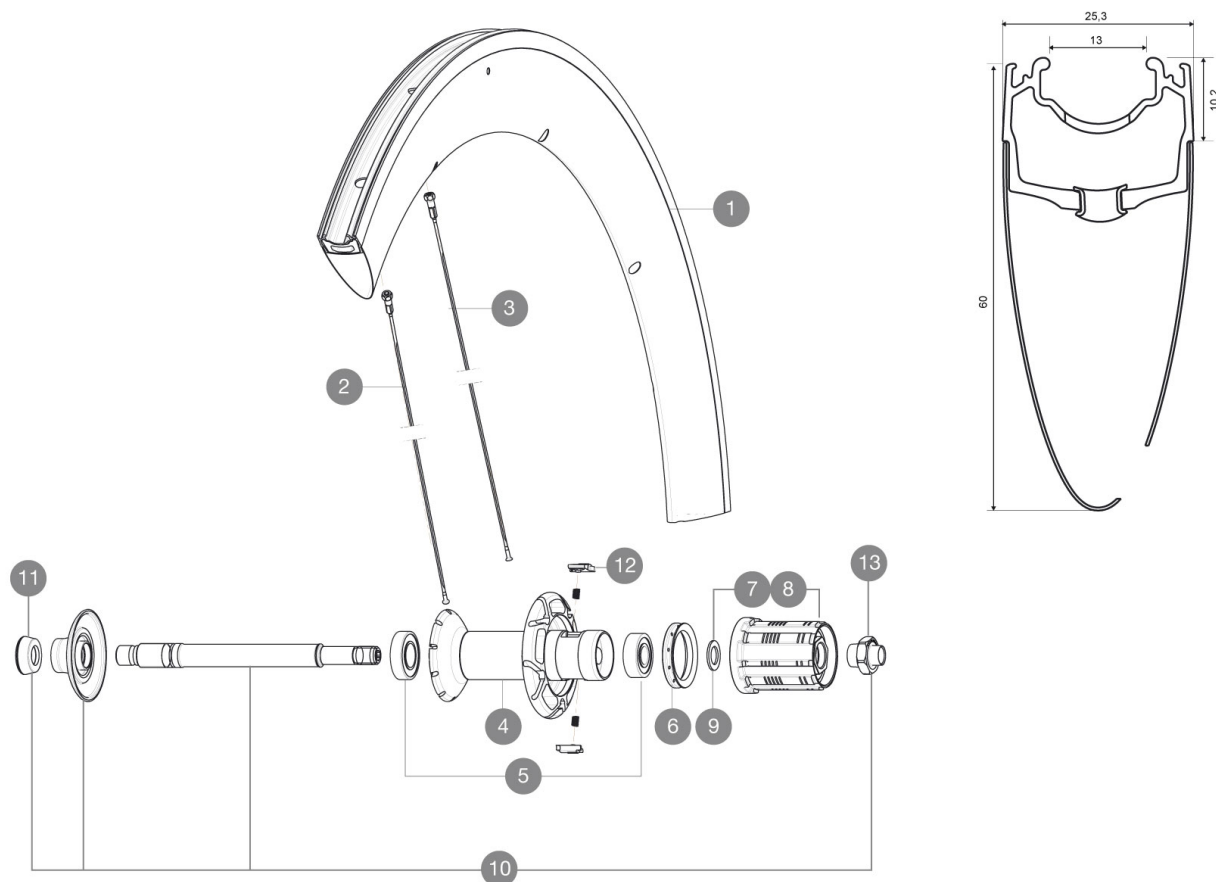


参照ホイール

354677 COSMIC CXR 60 C ED11 WTS

354676 COSMIC CXR 60 C M11 WTS



RIMS



&NBSP;:

1	V2403813	REAR RIM CXR60C MY16
---	----------	----------------------

SPOKES

2	32976801	10 BLK AERO SPOKES FRONT/NON DRIVE SIDE CXR 60 C 289mm
3	32976701	10 BLK AERO SPOKES DRIVE SIDE CXR 60 C 287mm

HUB SHELLS

4	N/A	HUB BODY
5	33000001	REAR HUB B9+6901 BEARINGS 2013
6	99500001	FTSL/FTSX FREEHUB BODY SEAL
7	30871101	FTS-L FREEWHEEL BODY HG11 2013 (8 or 9mm axle compatible)
8	30871201	FTS-L FREEWHEEL BODY ED11 2013 (8 or 9mm axle compatible)
9	30872801	SET OF 3 INTERNAL SILVER SPACERS 9mm FTS-L 2013
10	V2250301	KIT REAR AXLE AERO HUB CXR/CC40/CC SLS/CC SLE/COSMIC
12	M40578	PRO CAR FTSL PAWLS KIT (ROAD WHEELS)
13	V2373101	KIT NUT FOR ROAD ALLOY THROUGH AXLE 9mm

ADAPTERS

11	35117301	FRONT OR REAR FORK REST KIT R-SYS 2013
----	----------	--

MAVIC Cosmic CXR 60 C

付属品

BR601 Â¿Â¿Â¿Â¿Â¿Â¿Â¿Â¿Â¿Â¿Â¿Â¿Â¿	
Â¿Â¿Â¿Â¿Â¿Â¿Â¿	
Â¿Â¿Â¿Â¿Â¿Â¿Â¿	
CXRÂ¿Â¿Â¿Â¿Â¿Â¿Â¿Â¿Â¿Â¿Â¿Â¿Â¿ Â¿Â¿	
Â¿Â¿Â¿Â¿Â¿Â¿Â¿Â¿Â¿Â¿	
Â¿Â¿Â¿Â¿Â¿Â¿Â¿	
Â¿Â¿Â¿Â¿Â¿Â¿Â¿	

Specifications

リム

Â¿Â¿Â¿ 100% 3K Â¿Â¿Â¿Â¿Â¿Â¿Â¿Â¿Â¿Â¿
 •Â¿Â¿Â¿ : 60 mmÂ¿Â¿Â¿ 27 mm Â¿
 CX01Â¿Â¿Â¿Â¿
 Â¿Â¿Â¿Â¿ SUP
 Â¿Â¿Â¿Â¿Â¿
 Â¿Â¿Â¿Â¿2
 Â¿Â¿Â¿ ISM
 Â¿Â¿ 6.5 mm
 Â¿Â¿Â¿
 ETRTO Â¿Â¿ 622x13C
 Â¿Â¿23 mm

スポーク

Â¿Â¿Â¿
 Â¿Â¿
 Â¿
 Â¿
 ABSÂ¿
 Â¿ 16Â¿ 20Â¿
 Â¿
 Â¿/2Â¿

ホイールハブ

Â¿Â¿/Â¿
 Â¿
 /Â¿
 Â¿
 Â¿
 QRM+
 FTS-LÂ¿

ホイールの重み

ホイール重量 (クイックリリース
 スおよびクリンチャー/チュー
 ブラーを除く) (g) : 1005