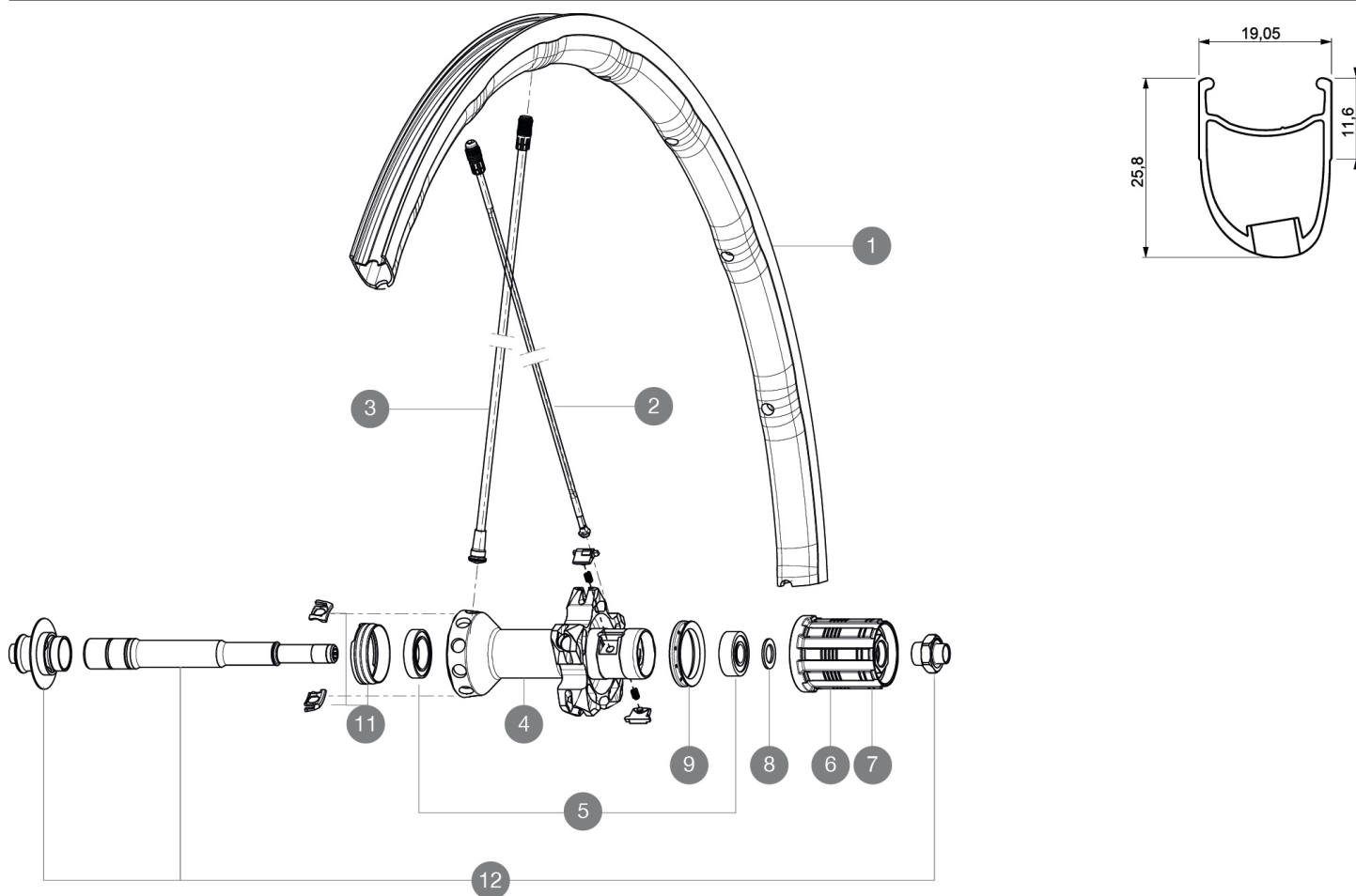


参照ホイール

R19701 R-Sys SLR 15 Rr



RIMS



ÄÖÅ«ÄÖÇ®'Á%ÖÏ¼MMÏ¼ÖÏ¼6.5 :

1	A7199813	KIT REAR RIM R-SYS SLR 2015
---	----------	-----------------------------

SPOKES

2	V2270401	SPOKES KIT DRIVE SIDE R-SYS SLR / KSYRIUM SLR 2015 293,5MM
3	V4161301	Kit 10 front/rear Rsys spokes 282,7mm from 2020
3	V2270301	KIT 10 NDS R-SYS/KSY SLR CARB SPK 282,7mm -while stock last
11	99693801	2 SILVER TRACOMP RINGS + CLIPS

HUB SHELLS

4	N/A	HUB BODY
5	32989701	REAR HUB QRM SL BEARINGS 2013
6	30871101	FTS-L FREEWHEEL BODY HG11 2013 (8 or 9mm axle compatible)
7	30871201	FTS-L FREEWHEEL BODY ED11 2013 (8 or 9mm axle compatible)
8	30872801	SET OF 3 INTERNAL SILVER SPACERS 9mm FTS-L 2013
9	99500001	FTSL/FTSX FREEHUB BODY SEAL
10	M40578	FTSL PAWLS KIT (ROAD WHEELS)
12	V2250101	Axle Kit Rsys SLR
	N/A	HUB BODY

MAVIC R-Sys SLR

付属品

BR601 quick releases	
Wheelbags	
Exalith brake pads	
Computer magnet (front wheel)	
Multifonction adjustment wrench	
Tracomp ring tool	
User guide	

Specifications

リム

- Material : Maxtal
- Height : front 24mm, rear 26 asymmetrical
- Joint : SUP
- Drilling : Fore
- Brake track : Exalith 2
- Weight reduction : ISM4D
- Valve hole diameter : 6.5 mm
- Tyre : clincher
- ETRTO size : 622x15C
- Recommended tyre sizes : 19 to 32 mm

スポーク

- Material : carbon fiber (front and rear non drive side) and Zicral (rear drive side)
- Shape : Tracomp tubular (front and rear non drive side) and straight pull bladed and double butted (rear drive side)
- Nipples : Fore integrated aluminum
- Count : front 16, rear 20
- Lacing : radial front and rear non-drive side, crossed 2 rear drive side

ホイールハブ

- Front and rear bodies : aluminum
- Axle material : aluminum
- Super Light sealed cartridge bearings
- Freewheel : FTS-L steel

ホイールの重み

ホイール重量 (クイックリリースおよびクリンチャー/チューブラーを除く) (g) : 740