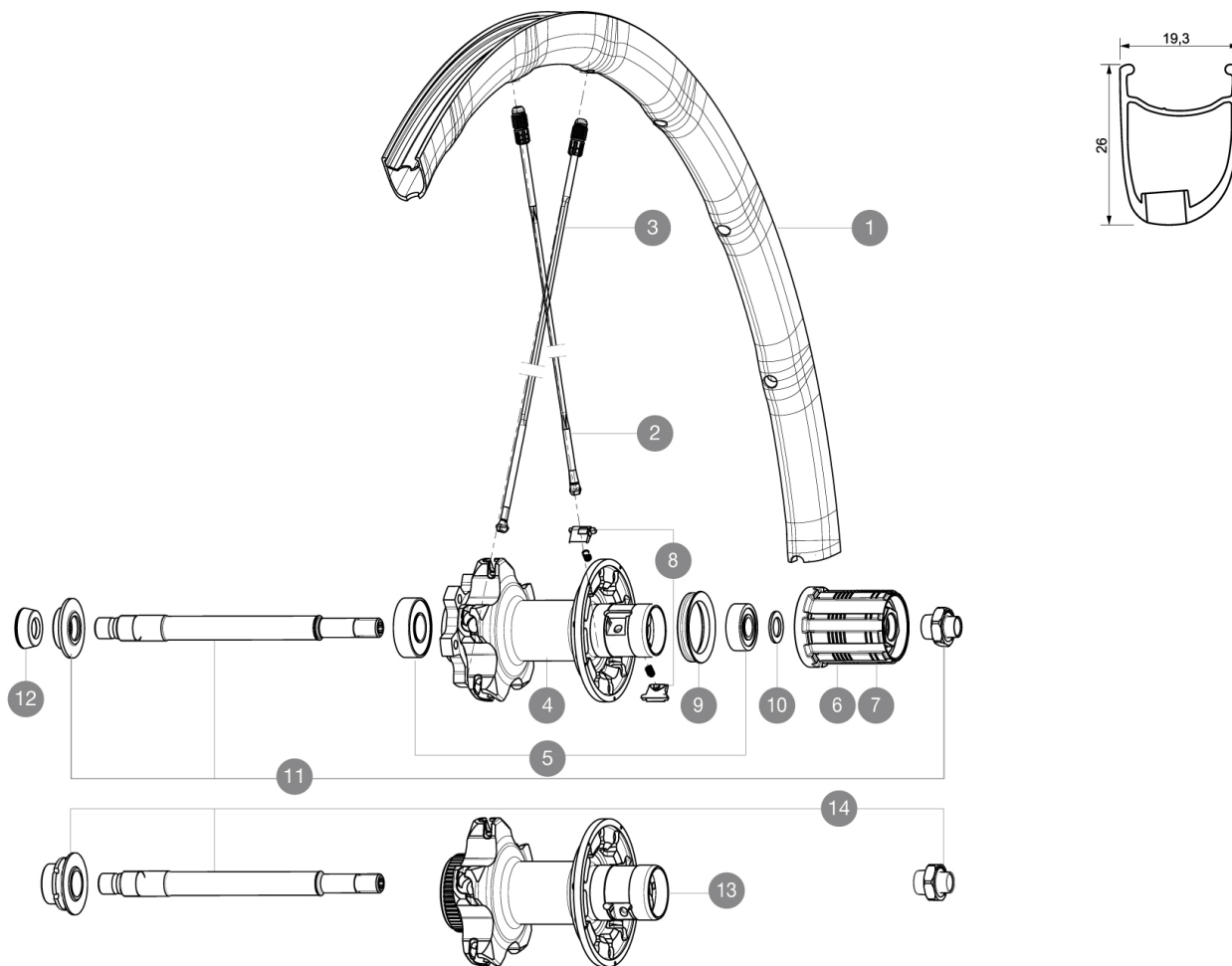


参照ホイール

R37201 Ksyrium Pro Disc Rr CL

R16501 Ksyrium Pro Disc Rr INT



**RIMS**



バルブ穴径 (MM) : 6.5 :

1	V2290613	KIT REAR RIM KSYRIUM PRO DISC
---	----------	-------------------------------

**SPOKES**

2	V2270501	SPOKES KIT DRIVE SIDE KSYRIUM PRO DISC
3	12029401	10 BLK DRIVE SIDE SPOKES R-SYS SLR CLINCH.294mm

**HUB SHELLS**

4	N/A	HUB BODY
5	V2540101	REAR HUB B9+6001 BEARINGS 2015
6	30871101	FTS-L FREEWHEEL BODY HG11 2013 (8 or 9mm axle compatible)
7	30871201	FTS-L FREEWHEEL BODY ED11 2013 (8 or 9mm axle compatible)
8	M40578	FTSL PAWLS KIT (ROAD WHEELS)
9	99500001	FTSL/FTSX FREEHUB BODY SEAL
10	30872801	SET OF 3 INTERNAL SILVER SPACERS 9mm FTS-L 2013
11	V2250601	KIT REAR AXLE KSYRIUM PRO DISC 6T
13	N/A	HUB BODY
14	V2250401	KIT REAR AXLE KSYRIUM PRO DISC CL

**ADAPTERS**

12	35117301	FRONT OR REAR FORK REST KIT R-SYS 2013
----	----------	--



# Ksyrium Pro Disc

## 付属品

BX601 quick releases	
Front QR adapters	
Specific disc bolts	
Computer magnet (front wheel)	
Multifonction adjustment wrench	
User guide	

## Specifications

### リム

- Material : Mxstal
- Height : 26mm, asymmetrical
- Joint : SUP
- Drilling : Fore
- Disc brake specific profile
- Weight reduction : ISM4D
- Valve hole diameter : 6.5 mm
- Tyre : clincher
- ETRTO size : 622x15C
- Recommended tyre sizes : 19 to 32 mm

### スポーク

- Material : Zicral
- Shape : straight pull, bladed
- Nipples : Fore integrated aluminum
- Count : 20 front and rear
- Lacing : front crossed 2, rear Isopulse

### ホイールハブ

- Front body : carbon with aluminum flanges
- Rear body : aluminum
- Axle material : aluminum
- Adjustable sealed cartridge bearings
- Freewheel : FTS-L steel

### ホイールの重み

ホイール重量 ( クイックリリースおよびクリンチャー/チューブラーを除く ) ( g ) : 855