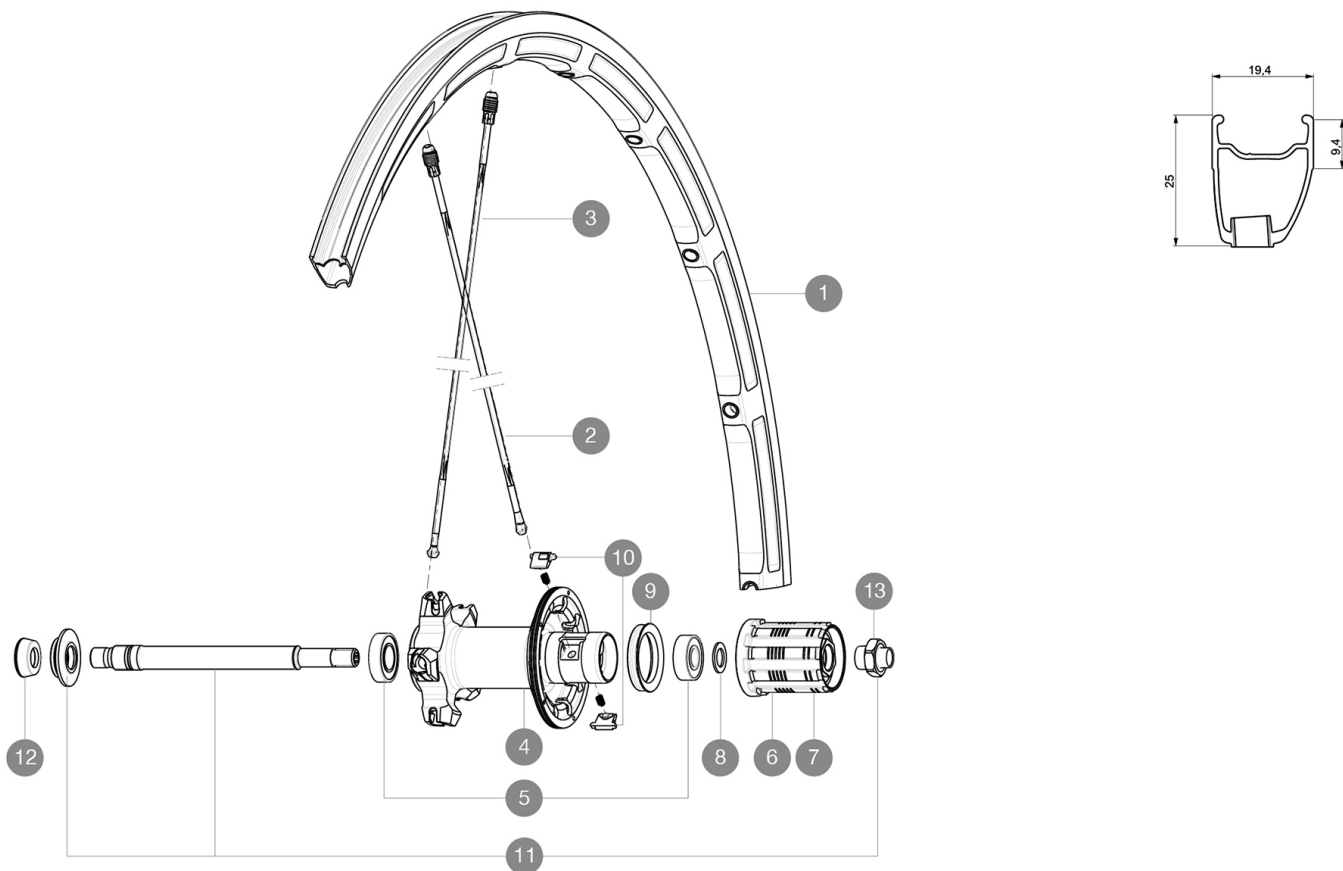


参照ホイール

R17501 Ksyrium SLE Rr



RIMS



バルブ穴径 (MM) : 6.5 :

1	V2290413	KIT REAR RIM KSYRIUM SLE
---	----------	--------------------------

SPOKES

2	12030301	KIT 10 DS KSYRIUM SL11 BLACK SPOKE 275mm
3	12030401	10 BLK OPP.DRIVE SIDE SPOKES KSYRIUM SL11 298mm

HUB SHELLS

4	N/A	HUB BODY
5	33000001	REAR HUB B9+6901 BEARINGS 2013
6	30871101	FTS-L FREEWHEEL BODY HG11 2013 (8 or 9mm axle compatible)
7	30871201	FTS-L FREEWHEEL BODY ED11 2013 (8 or 9mm axle compatible)
8	30872801	SET OF 3 INTERNAL SILVER SPACERS 9mm FTS-L 2013
9	99500001	FTSL/FTSX FREEHUB BODY SEAL
10	M40578	FTSL PAWLS KIT (ROAD WHEELS)
11	V2250501	Axle Kit Ksyrium Elite / SLS
13	V2373101	KIT NUT FOR ROAD ALLOY THROUGH AXLE 9mm

ADAPTERS

12	35117301	FRONT OR REAR FORK REST KIT R-SYS 2013
----	----------	--

MAVIC Ksyrium SLE

付属品

BR601 quick releases	
Exalith brake pads	
Computer magnet (front wheel)	
Multifonction adjustment wrench	
User guide	

Specifications

リム

- Material : Maxtal
- Height : front 22 mm, rear 25 mm asymmetrical
- Joint : SUP
- Drilling : Fore
- Brake track : Exalith 2
- Weight reduction : ISM 3D
- Valve hole diameter : 6.5 mm
- Tyre : clincher
- ETRTO size : 622x15C
- Recommended tyre sizes : 19 to 32 mm

スポーク

- Material : Zicral
- Shape : straight pull, bladed, front double butted
- Nipples : Fore integrated aluminum
- Count : front 18, rear 20
- Lacing : front radial, rear Isopulse

ホイールハブ

- Front body : carbon with aluminum flanges
- Rear body : aluminum
- Axle material : aluminum
- Adjustable sealed cartridge bearings
- Freewheel : FTS-L steel

ホイールの重み

ホイール重量 (クイックリリースおよびクリンチャー/チューブラーを除く) (g) : 790