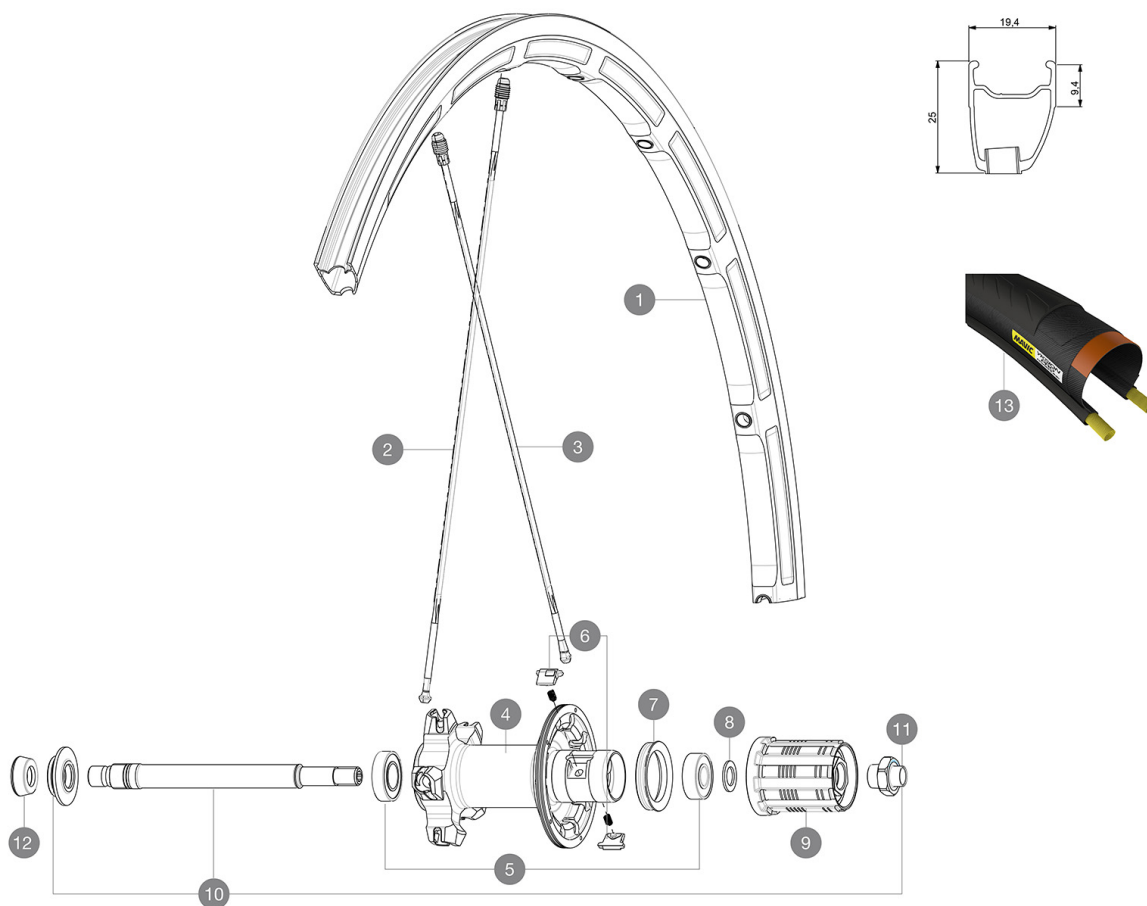


参照ホイール



## RIMS



&NBSP;:

1	33000113	REAR KSYRIUM SLS CLINCHER RIM
---	----------	-------------------------------

## SPOKES

2	12030401	10 BLK OPP.DRIVE SIDE SPOKES KSYRIUM SL11 298mm
3	12030301	KIT 10 DS KSYRIUM SL11 BLACK SPOKE 275mm

## HUB SHELLS

4	N/A	HUB BODY
5	33000001	REAR HUB B9+6901 BEARINGS 2013
6	M40578	FTSL PAWLS KIT (ROAD WHEELS)
7	99500001	FTSL/FTSX FREEHUB BODY SEAL
8	30872801	SET OF 3 INTERNAL SILVER SPACERS 9mm FTS-L 2013
9	30871201	FTS-L FREEWHEEL BODY ED11 2013 (8 or 9mm axle compatible)
9	30871101	FTS-L FREEWHEEL BODY HG11 2013 (8 or 9mm axle compatible)
10	V2250501	Axle Kit Ksyrium Elite / SLS
11	V2373101	KIT NUT FOR ROAD ALLOY THROUGH AXLE 9mm

## TYRES

13	37805523	Yksion Pro PowerLink White 23
----	----------	-------------------------------

## ADAPTERS

12	35117301	FRONT OR REAR FORK REST KIT R-SYS 2013
----	----------	--

# MAVIC Ksyrium SLS

## 付属品

BR601 quick releases	
BR601 quick releases	
Computer magnet (front wheel)	
Computer magnet (front wheel)	
Multifunction adjustment wrench	
Multifunction adjustment wrench	
User guide	
User guide	

## Specifications

### リム

- Material : Maxtal
- Material : Maxtal
- Height : front 22 mm, rear 25 mm asymmetrical
- Height : front 22 mm, rear 25 mm asymmetrical
- Joint : SUP
- Joint : SUP
- Drilling : Fore
- Drilling : Fore
- Brake track : UB Control
- Brake track : UB Control
- Weight reduction : ISM 3D
- Weight reduction : ISM 3D
- Valve hole diameter : 6.5 mm
- Valve hole diameter : 6.5 mm
- Tyre : clincher or tubular
- Tyre : clincher or tubular
- ETRTO size : 622x15C
- ETRTO size : 622x15C
- Recommended tyre sizes : 19 to 32 mm
- Recommended tyre sizes : 19 to 32 mm

### スポーク

- Material : Zicral
- Material : Zicral
- Shape : straight pull, bladed, front double butted
- Shape : straight pull, bladed, front double butted
- Nipples : Fore integrated aluminum
- Nipples : Fore integrated aluminum
- Count : front 18, rear 20
- Count : front 18, rear 20
- Lacing : front radial, rear Isopulse
- Lacing : front radial, rear Isopulse

### ホイールハブ

- Front body : carbon with aluminum flanges
- Front body : carbon with aluminum flanges
- Rear body : aluminum
- Rear body : aluminum
- Axle material : aluminum
- Axle material : aluminum
- Adjustable sealed cartridge bearings
- Adjustable sealed cartridge bearings
- Freewheel : FTS-L steel
- Freewheel : FTS-L steel

### ホイールの重み

ホイール重量 ( クイックリリースおよびクリンチャー/チューブラーを除く ) ( g ) : 790