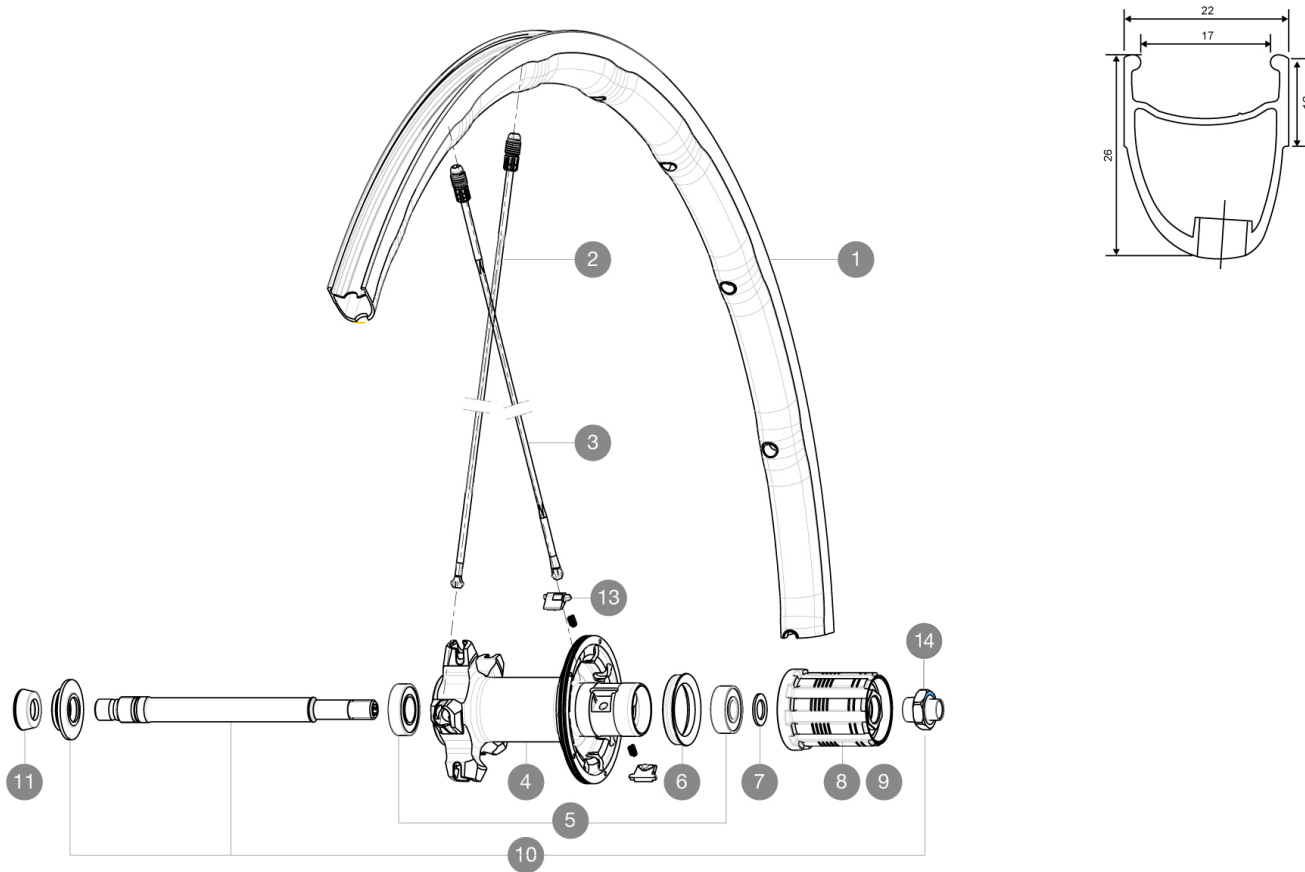


MAVIC Ksyrium Pro

ASTM CATEGORY 2 : road and offroad with jumps less than 15cm
 For a longer longevity of the wheel, Mavic recommends that the total weight supported by the wheels doesn't exceed 120kg, bike included
 Recommended tyre sizes: 25 to 52 mm
 Max. Pressure: 25mm 7.7 bars - 110 PSI

参照ホイール

R66801 Ksyrium Pro Rr R98431 Ksyrium Pro Rr Limited



RIMS



バルブ穴径 (MM) : 6,5 :

1	V2405013	Kit Rear Rim KsyProLtd
1	V2402113	REAR RIM KSYRIUM PRO

SPOKES

2	V2277501	KIT 10 REAR NON DRIVE SIDE KSYRIUM PRO/PRO EXALITH/PRO
3	V2272801	Kit Front 282,5 + 1 Rear 273,5 Spokes KProLtd
3	V2270501	SPOKES KIT DRIVE SIDE KSYRIUM PRO DISC

HUB SHELLS

4	N/A	HUB BODY
4	N/A	HUB BODY
5	33000001	REAR HUB B9+6901 BEARINGS 2013
6	99500001	FTSL/FTSX FREEHUB BODY SEAL
7	30872801	SET OF 3 INTERNAL SILVER SPACERS 9mm FTS-L 2013
8	30871101	FTS-L FREEWHEEL BODY HG11 2013 (8 or 9mm axle compatible)
9	30871201	FTS-L FREEWHEEL BODY ED11 2013 (8 or 9mm axle compatible)
10	V2250501	Axle Kit Ksyrium Elite / SLS
13	M40578	FTSL PAWLS KIT (ROAD WHEELS)
14	V2373101	KIT NUT FOR ROAD ALLOY THROUGH AXLE 9mm

ADAPTERS

11	35117301	FRONT OR REAR FORK REST KIT R-SYS 2013
----	----------	--



Ksyrium Pro

付属品

BR601 quick releases	
BR601 quick releases	
Multifunction adjustment wrench	
User guide	
Multifunction adjustment wrench	
User guide	

COMPATIBILITY

Freewheel: Shimano/Sram, convertible to Campagnolo with optional driver body	
Front axle: Quick Release only	
Rear axle: Quick Release only	

Specifications

リム

- Material : Mxtral
- Height : front 24mm, rear 26 asymmetrical
- Joint : SUP
- Drilling : Fore
- Brake track : UB Control
- Weight reduction : ISM 4D
- Valve hole diameter : 6.5 mm
- Tyre : clincher
- Material : Mxtral
- Height : front 24mm, rear 26 asymmetrical
- ETRTO size : 622x17C
- Recommended tyre sizes : 25 to 52 mm
- Joint : SUP
- Drilling : Fore
- Brake track : UB Control
- Weight reduction : ISM 4D
- Valve hole diameter : 6.5 mm
- Tyre : clincher
- Internal width : 17 mm
- ETRTO size : 622x17C

スポーク

- Material : Zicral
- Shape : straight pull, bladed, front double butted
- Nipples : Fore integrated aluminum
- Material : Zicral
- Count : front 18, rear 20
- Lacing : front radial, rear Isopulse
- Shape : straight pull, bladed, front double butted
- Nipples : Fore integrated aluminum
- Count : front 18, rear 20
- Lacing : front radial, rear Isopulse

ホイールハブ

- Front body : carbon with aluminum flanges
- Rear body : aluminum
- Rear body : aluminum
- Axle material : aluminum
- Front body : carbon with aluminum flanges
- Adjustable sealed cartridge bearings
- Freewheel : FTS-L steel
- Axle material : aluminum
- Adjustable sealed cartridge bearings
- Freewheel : FTS-L steel

VERSIONS

- Color : Black only

ホイールの重み

ホイール重量 (クイックリリー
スおよびクリンチャー/チュー
ブラーを除く) (g) : 845