

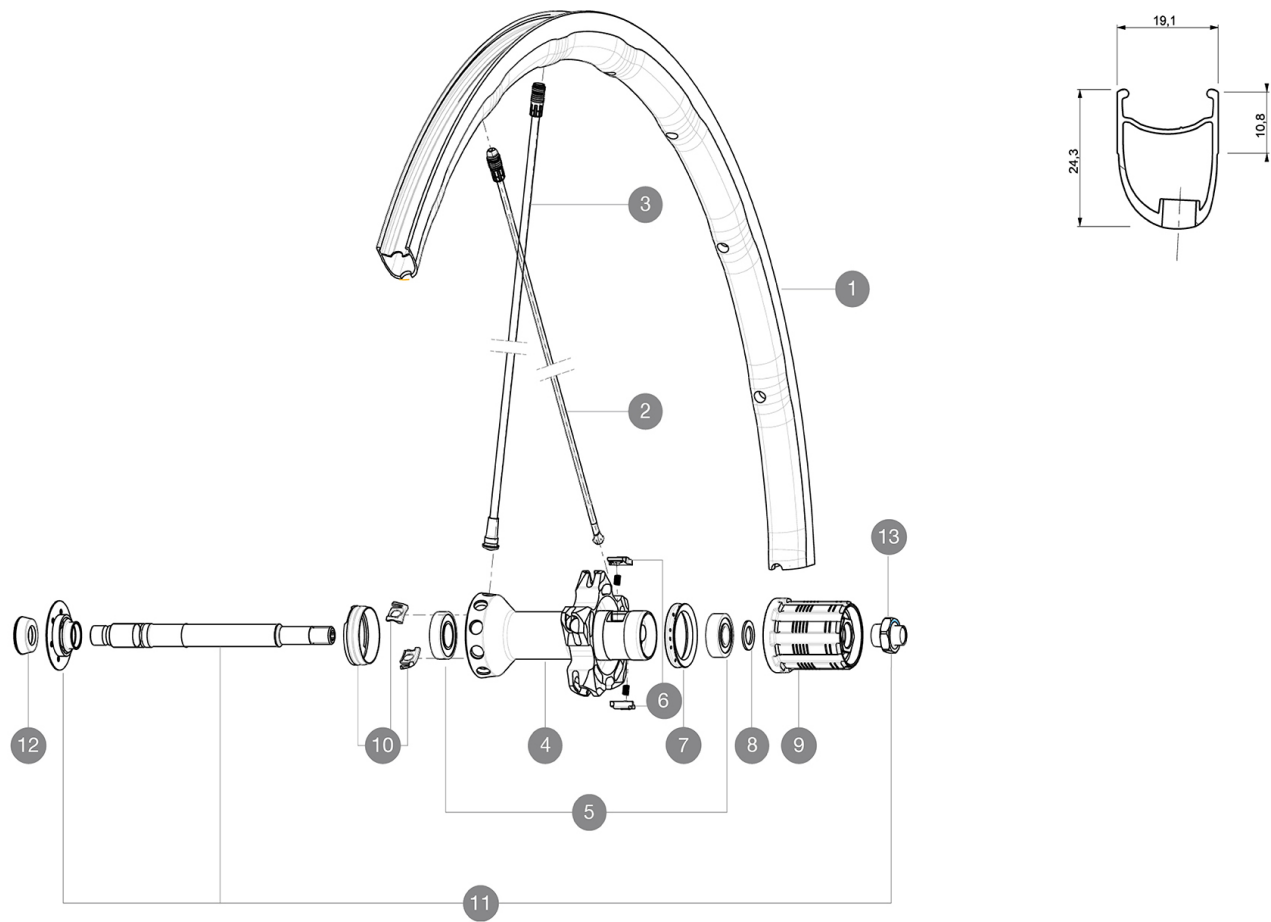


# Ksyrium Pro Exalith SL

## 参照ホイール

R58301	KsyProExalithSLRr	R98421	KsyProExalithSLRr Limited
--------	-------------------	--------	---------------------------

ASTM CATEGORY 1 : road only  
 For a longer longevity of the wheel, Mavic recommends that the total weight supported by the wheels doesn't exceed 120kg, bike included  
 Recommended tyre sizes: 21 to 32 mm  
 Max. Pressure: 25mm 7.7 bars - 110 PSI



### RIMS



バルブ穴径 (MM) : 6.5 :

1	V2405213	Kit Rear Rim KProExalithSLLtd
1	V2290213	KIT REAR RIM KSYRIUM SLR 2015

### ADAPTERS

12	35117301	FRONT OR REAR FORK REST KIT R-SYS 2013
----	----------	--

### SPOKES

2	V2270401	SPOKES KIT DRIVE SIDE R-SYS SLR / KSYRIUM SLR 2015 293,5MM
3	V2270301	KIT 10 NDS R-SYS/KSY SLR CARB SPK 282,7mm -while stock last
3	V4161301	Kit 10 front/rear Rsys spokes 282,7mm from 2020
10	99693801	2 SILVER TRACOMP RINGS + CLIPS

### HUB SHELLS

4	N/A	HUB BODY
5	33000001	REAR HUB B9+6901 BEARINGS 2013
6	M40578	FTSL PAWLS KIT (ROAD WHEELS)
7	99500001	FTSL/FTSX FREEHUB BODY SEAL
8	30872801	SET OF 3 INTERNAL SILVER SPACERS 9mm FTS-L 2013
9	30871201	FTS-L FREEWHEEL BODY ED11 2013 (8 or 9mm axle compatible)
9	30871101	FTS-L FREEWHEEL BODY HG11 2013 (8 or 9mm axle compatible)
11	V2250201	Axle Kit Rsys
13	V2373101	KIT NUT FOR ROAD ALLOY THROUGH AXLE 9mm



# Ksyrium Pro Exalith SL

## 付属品

BR601 quick releases	
BR601 quick releases	
Exalith brake pads	
Exalith brake pads	
Multifonction adjustment wrench	
Tracomp ring tool	
User guide	
Multifonction adjustment wrench	
Tracomp ring tool	
User guide	

## COMPATIBILITY

Freewheel: Shimano/Sram, convertible to Campagnolo with optional driver body	
Front axle: Quick Release only	
Rear axle: Quick Release only	

## Specifications

### リム

- Material : Mxtral
- Height : front 24mm, rear 26 asymmetrical
- Joint : SUP
- Drilling : Fore
- Brake track : Exalith 2
- Weight reduction : ISM 4D
- Valve hole diameter : 6.5 mm
- Tyre : clincher
- Material : Mxtral
- Height : front 24mm, rear 26 asymmetrical
- ETRTO size : 622x15C
- Recommended tyre sizes : 21 to 32 mm
- Joint : SUP
- Drilling : Fore
- Brake track : Exalith 2
- Weight reduction : ISM 4D
- Valve hole diameter : 6.5 mm
- Tyre : clincher
- Internal width : 15mm
- ETRTO size : 622x15C

### スポーク

- Material : front and rear drive side Zicral, Rear non drive side carbon fiber
- Shape : front and rear drive side straight pull bladed double butted, rear non drive side Tracomp
- Nipples : Fore integrated aluminum
- Material : front and rear drive side Zicral, Rear non drive side carbon fiber
- Count : front 18, rear 20
- Lacing : radial front and rear non-drive side, crossed 2 rear drive side
- Shape : front and rear drive side straight pull bladed double butted, rear non drive side Tracomp
- Nipples : Fore integrated aluminum

### ホイールハブ

- Front body : carbon with aluminum flanges
- Rear body : aluminum
- Rear body : aluminum
- Axle material : aluminum
- Adjustable sealed cartridge bearings
- Front body : carbon with aluminum flanges
- Freewheel : FTS-L steel
- Axle material : aluminum
- Adjustable sealed cartridge bearings
- Freewheel : FTS-L steel

### VERSIONS

- Color : Black only

### ホイールの重み

ホイール重量 ( クイックリリー  
スおよびクリンチャー/チュー  
ブラーを除く ) ( g ) : 750