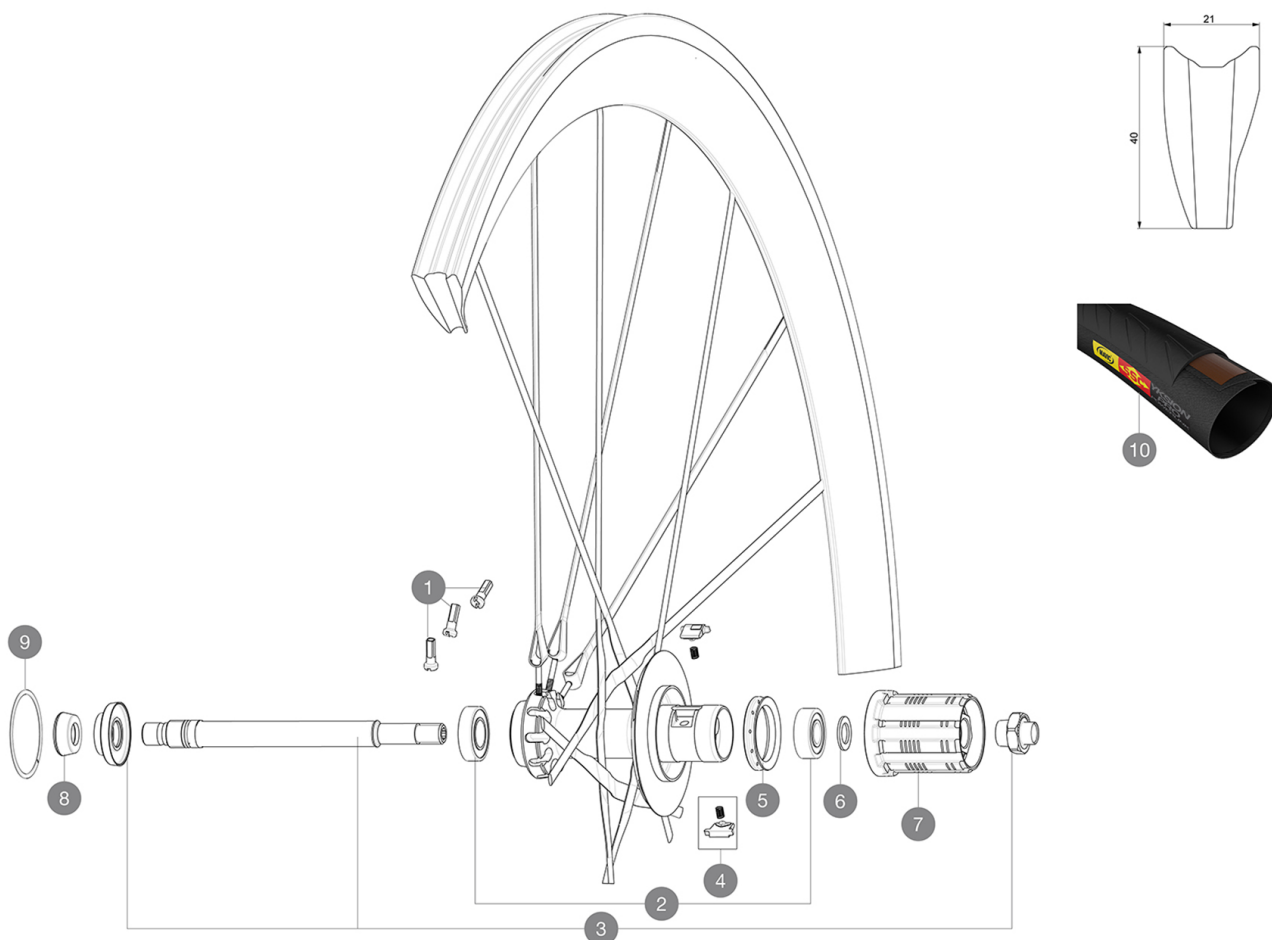


ASTM CATEGORY 1 : road only

For a longer longevity of the wheel, Mavic recommends that the total weight supported by the wheels doesn't exceed 120kg, bike included

参照ホイール

R57301 CosmicUlti16Rr



SPOKES

1	99603601	R.NIPPLES COS.CARB.ULTIMATE
---	----------	-----------------------------

HUB SHELLS

2	33000001	REAR HUB B9+6901 BEARINGS 2013
3	V2250801	Axle Kit CCU
4	M40578	FTSL PAWLS KIT (ROAD WHEELS)
5	99500001	FTSL/FTSX FREEHUB BODY SEAL
6	30872801	SET OF 3 INTERNAL SILVER SPACERS 9mm FTS-L 2013
7	30871201	FTS-L FREEWHEEL BODY ED11 2013 (8 or 9mm axle compatible)
7	30871101	FTS-L FREEWHEEL BODY HG11 2013 (8 or 9mm axle compatible)
9	99604501	2 R.HUB RING COS.CARB.ULTIMATE

TYRES

10	37804625	Yksion Pro PowerLink Tubular SSC 25
----	----------	-------------------------------------

ADAPTERS

8	35117301	FRONT OR REAR FORK REST KIT R-SYS 2013
---	----------	--

MAVIC Cosmic Ultimate

付属品

BR601 Titanium quick releases	
Carbon brake pads	
Multifonction adjustment wrench	
User guide	

Specifications

リム

- Material : 100% woven 12K carbon fiber
- Height : 40 mm
- Drilling : no holes, spokes molded to the rim
- Brake track : carbon with TgMAX technology
- Valve hole diameter : 6.5 mm
- Tyre : tubular
- ETRTO size : 28" tubular
- Recommended tyre sizes : 21 to 28 mm

スポーク

- Material : unidirectional carbon fiber
- Shape : R2R
- Nipples : brass, ABS
- Count : 20 front and rear
- Lacing : crossed 2 front and rear drive side, radial non drive side

ホイールハブ

- Front body : Front 100% carbon
- Rear body : aluminum
- Axle material : aluminum
- Adjustable sealed cartridge bearings
- Freewheel : FTS-L steel

ホイールの重み

ホイール重量 (クイックリリースおよびクリンチャー/チューブラーを除く) (g) : 665