

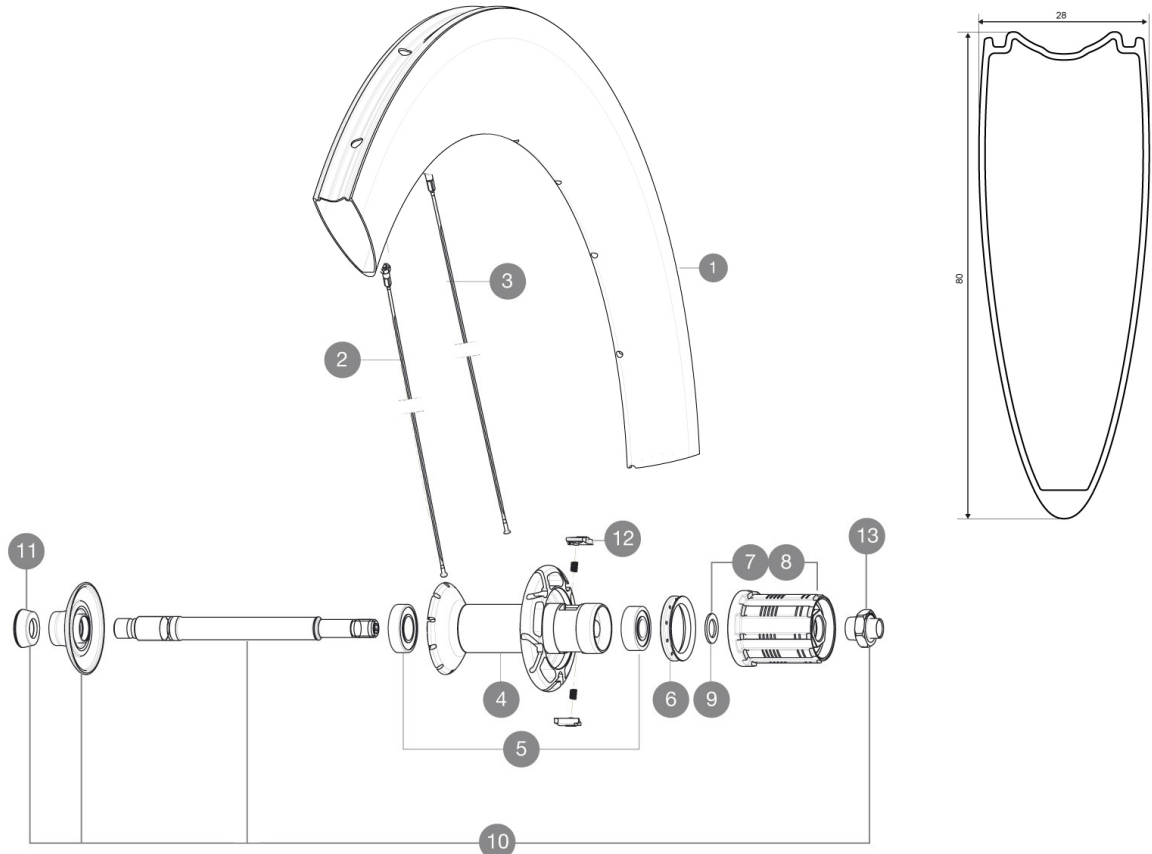


CXR Ultimate 80 T

参照ホイール

R98101	CXRUltimate80Tub16Rr+CD	R56901	CXRUlti80T16Rr
--------	-------------------------	--------	----------------

ASTM CATEGORY 1 : road only
 For a longer longevity of the wheel, Mavic recommends that the total weight supported by the wheels doesn't exceed 120kg, bike included
 Recommended tyre size: 23 mm
 Max. Pressure: 23mm 8.7 bars - 125 psi



RIMS



バルブ穴径 (MM) : 6.5 :

1	30860313	REAR COSMIC CXR80 TUBULAR RIM
---	----------	-------------------------------

SPOKES

2	30863201	10 BLK FR/NDRV SPOKES CXR80/CC80 2013 235mm
3	30863101	10 BLK DRV SPOKES CXR80/CC80 2013 232mm

HUB SHELLS

4	N/A	HUB BODY
5	33000001	REAR HUB B9+6901 BEARINGS 2013
6	99500001	FTSL/FTSX FREEHUB BODY SEAL
7	30871101	FTS-L FREEWHEEL BODY HG11 2013 (8 or 9mm axle compatible)
8	30871201	FTS-L FREEWHEEL BODY ED11 2013 (8 or 9mm axle compatible)
9	30872801	SET OF 3 INTERNAL SILVER SPACERS 9mm FTS-L 2013
10	V2250301	KIT REAR AXLE AERO HUB CXR/CC40/CC SLS/CC SLE/COSMIC
12	M40578	FTSL PAWLS KIT (ROAD WHEELS)
13	V2373101	KIT NUT FOR ROAD ALLOY THROUGH AXLE 9mm

ADAPTERS

11	35117301	FRONT OR REAR FORK REST KIT R-SYS 2013
----	----------	--



CXR Ultimate 80 T

付属品

BR601 quick releases	
BR601 quick releases	
CXR specific carbon brake pads	
Valve extender	
CXR specific carbon brake pads	
Multifunction adjustment wrench	
User guide	
Valve extender	
Multifunction adjustment wrench	
User guide	

COMPATIBILITY

Freewheel: Shimano/Sram or Campagnolo, convertible to XD-R with optional driver body	
Freewheel: Shimano/Sram, convertible to Campagnolo with optional driver body	
Front axle: Quick Release only	
Rear axle: Quick Release only	

Specifications

リム

- Material : 100% woven 3K carbon fiber
- Height : 80 mm, Width 27 mm with CX01 groves
- Material : 3K carbon fibers
- Drilling : traditional
- Brake track : carbon
- Valve hole diameter : 6.5 mm
- Tyre : tubular
- ETRTO size : 28" tubular
- Recommended tyre size : 23 mm
- Height : 80 mm, Width 27 mm with CX01 groves
- Drilling : traditional
- Brake track : carbon
- Valve hole diameter : 6.5 mm
- Tyre : tubular
- ETRTO size : 28" tubular

スポーク

- Material : steel
- Shape : straight pull, bladed, double butted
- Nipples : aluminum, ABS
- Count : front 16, rear 20
- Material : steel
- Lacing : radial front and rear non-drive side, crossed 2 rear drive side
- Shape : straight pull, bladed, double butted
- Nipples : aluminum, ABS
- Count : front 16, rear 20
- Lacing : radial front and rear non-drive side, crossed 2 rear drive side

ホイールハブ

- Front and rear bodies : carbon center tube and aluminum flanges
- Axle material : aluminum
- Front and rear bodies : carbon center tube and aluminum flanges
- Adjustable sealed cartridge bearings
- Freewheel : FTS-L steel
- Axle material : aluminum
- Adjustable sealed cartridge bearings
- Freewheel : FTS-L steel

VERSIONS

- Color : Black only

ホイールの重み

ホイール重量 (クイックリリースおよびクリンチャー/チューブラーを除く) (g) : 905