

MAVIC

Ksyrium Disc

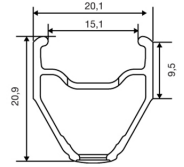
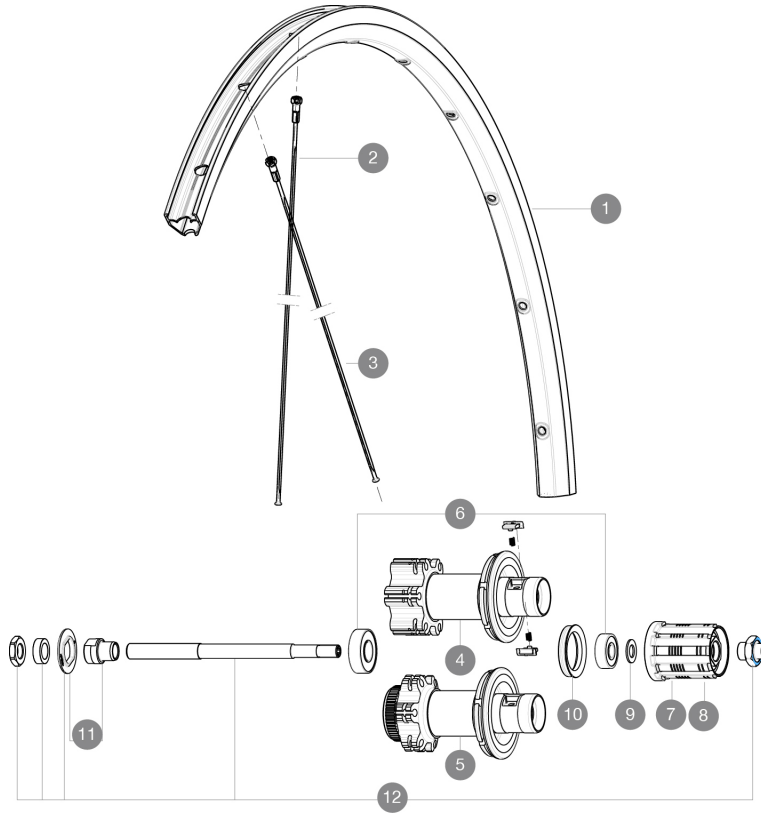
ASTM CATEGORY 2 : road and offroad with jumps less than 15cm

For a longer longevity of the wheel, Mavic recommends that the total weight supported by the wheels doesn't exceed 120kg, bike included

参照ホイール

R67001 KsyriumDiscRr CL

R66901 KsyriumDiscRr INTL



RIMS



バルブ穴径 (MM) : 6,5 :

1	V2402915	RIM KSYRIUM DISC
---	----------	------------------

SPOKES

2	V2275601	KIT 12 DS KSYRIUM DISC 9mm SPK 289mm
3	35126201	"12 SPOKES DRV CROSSRIDE 29" 293mm"

HUB SHELLS

4	N/A	HUB BODY
6	M40660	REAR HUB 608+6001 BEARINGS
7	30871101	FTS-L FREEWHEEL BODY HG11 2013 (8 or 9mm axle compatible)
8	30871201	FTS-L FREEWHEEL BODY ED11 2013 (8 or 9mm axle compatible)
9	M40067	10 SPACERS FRW/HUB BODY
10	99500001	FTSL/FTSX FREEHUB BODY SEAL
11	32348401	EXPANSIBLE BEARINGS SUPPORT
12	32348001	DISC REAR AXLE XLAND/XMAX ENDU



Ksyrium Disc

付属品

BR101 quick releases	
Rim tape	
Front QR adapters	
User guide	

Specifications

リム

- Material : S6000 Aluminum
- Height : 25mm
- Joint : SUP
- Drilling : traditional with H2 reinforcement
- Disc brake specific profile
- Valve hole diameter : 6.5 mm
- Tyre : clincher
- ETRTO size : 622x15C
- Recommended tyre sizes : 21 to 32 mm

スポーク

- Material : steel
- Shape : straight pull, bladed
- Nipples : brass, ABS
- Count : 24 front and rear
- Lacing : front and rear crossed 2

ホイールハブ

- Front and rear bodies : aluminum
- Axle material : front aluminum, rear steel
- Sealed cartridge bearings
- Freewheel : FTS-L steel
- Front : convertible to 15mm through axle

ホイールの重み

ホイール重量 (クイックリリースおよびクリンチャー/チューブラーを除く) (g) : 1020