

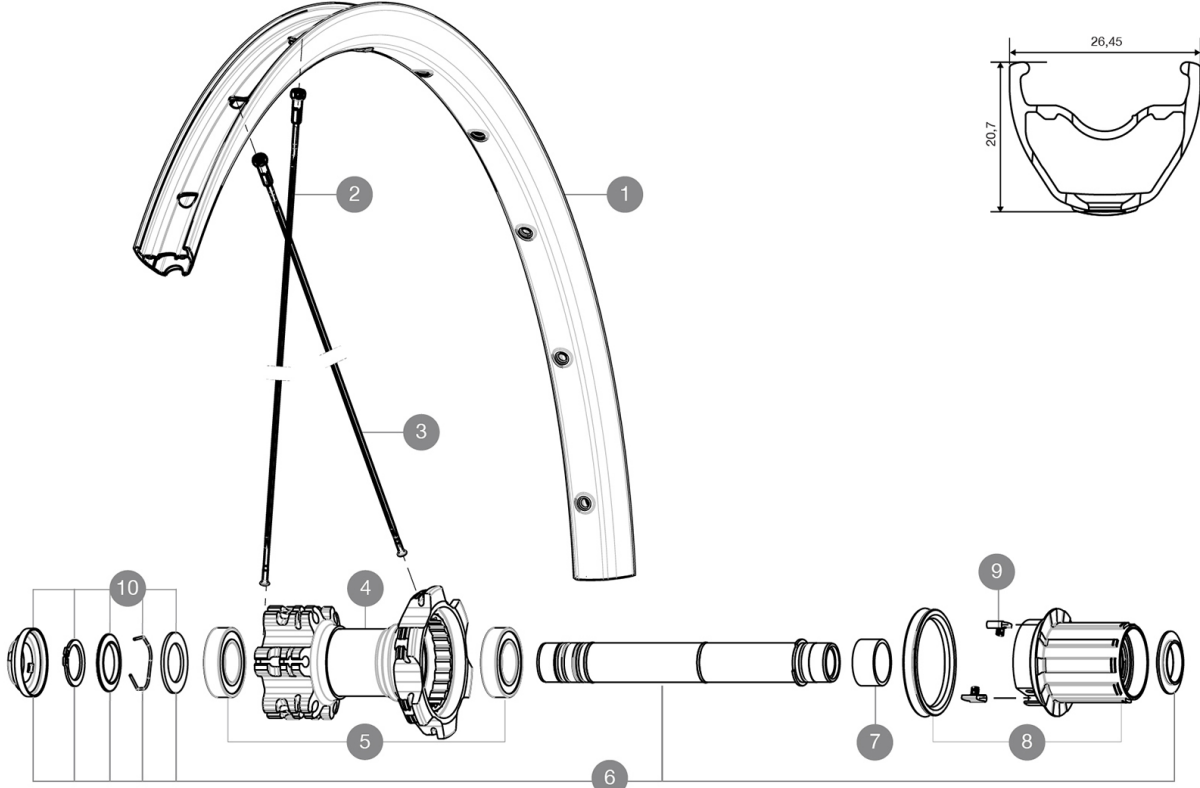


Crossride Light WTS 29

参照ホイール

R61001	Xride Light29Rr WTS	R99151	XrdLight29Rr Boost WTS
--------	---------------------	--------	------------------------

ASTM CATEGORY 3 : offroad with jumps less than 61cm
For a longer longevity of the wheel, Mavic recommends that the total weight supported by the wheels don't exceed 120kg, bike included



RIMS



バルブ穴径 (MM) : 8,5 WITH POP OFF REDUCER :

1	V2314615	RIM CROSSRIDE LIGHT 29
---	----------	------------------------

SPOKES

2	V2382701	12 REAR DRIVE SIDE SPOKES 295mm CROSSRIDE LIGHT 29
---	----------	--



HUB SHELLS

4	N/A	HUB BODY
5	M40076	HUB BEARINGS 17x30x7 6903 x 2
6	V2371201	KIT REAR QRM AXLE 135-142 / BOOST 148mm
7	35124501	SET OF 3 REAR AXLE/FREEWHEEL BODY SPACERS
8	35126301	TS-2 FREEWHEEL BODY + SEAL 2013 (NO PAWLS) - while stock las
9	N/A	HUB BODY
10	V2370401	REAR AUTO ADJUST.PLAY KIT 12MM AXLE

MAVIC

Crossride Light WTS 29

付属品

Rim tape	
Rear 12x142mm adapters	
Front QR adapters (996 941 01 for MTB or B41 043 01 for road) 1	
User guide	
Rear 12x142mm adapters for ITS4 and TS2 (308 593 01 for ITS4, 329 650 01 for TS2) 1	
Rim tape	
User guide	

COMPATIBILITY

Freewheel: Shimano/Sram, convertible to XD with optional driver body	
Front axle: convertible from 15mm thru axle to Quick Release with optional adapters	
Front axle: convertible from 15mm thru axle to Quick Release with included adapters	
Rear axle: 12mm thru axle, convertible to Quick Release with optional adapters	

Specifications

リム

- Joint : sleeved
- Drilling : traditional
- Disc brake specific profile
- Valve hole diameter : 8,5 mm with pop off reducer
- Tyre : tubetype
- Internal width : 21 mm
- ETRTO size 26" : 559x21C
- ETRTO size 27.5" : 584x21C
- ETRTO size 29" : 622x21C
- Joint : sleeved
- Drilling : traditional
- Disc brake specific profile
- Valve hole diameter : 8,5 mm with pop off reducer
- Tyre : tubetype
- Internal width : 21 mm
- ETRTO size 26" : 559x21C
- ETRTO size 27.5" : 584x21C
- ETRTO size 29" : 622x21C

スポーク

- Material : steel
- Shape : straight pull, bladed, double butted
- Nipples : brass, ABS
- Count : 24 front and rear
- Lacing : front and rear crossed 2
- Material : steel
- Shape : straight pull, bladed, double butted
- Nipples : steel, ABS
- Count : 24 front and rear
- Lacing : front and rear crossed 2

ホイールハブ

- Freewheel : TS-2 alloy
- Front and rear bodies : aluminum
- Freewheel : TS-2 alloy

VERSIONS

- Color : Black only
- Disc standard : 6 Bolts only
- Hub width : Boost (front 110, rear 148) or Non-Boost (front 100, rear 135/142)

ホイールの重み

- ホイール重量 (クイックリリースおよびクリンチャー/チューブラーを除く) (g) :
- Weight Rear 26": 970
 - Weight Rear 27.5": 1000
 - Weight Rear 29": 1050