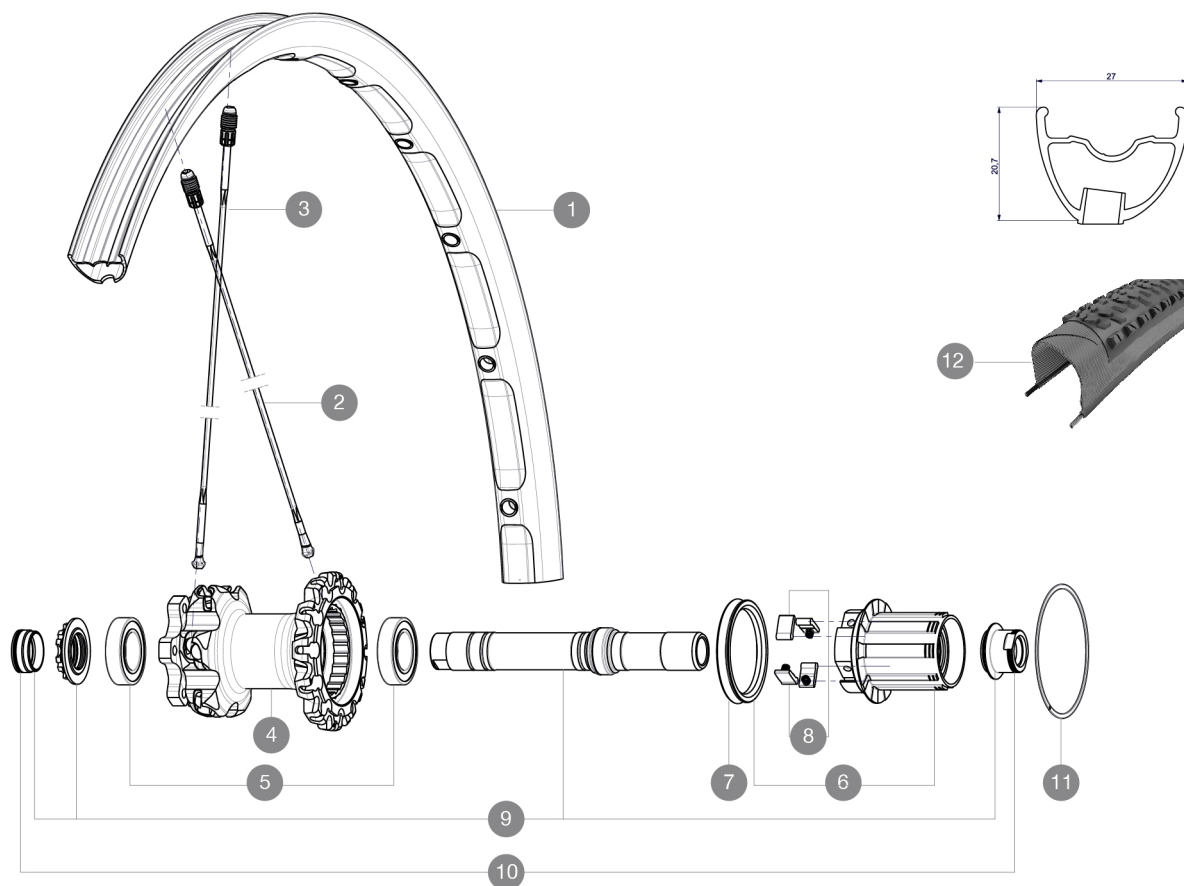


ASTM CATEGORY 4 : offroad with jumps less than 122cm
For a longer longevity of the wheel, Mavic recommends that the total weight supported by the wheels doesn't exceed 120kg, bike included

参照ホイール

R78901 XmXLPro27.5RxD WTS R59701 XmaxXLPro27.5RrWTS



RIMS



バルブ穴径 (MM) : 6.5 :

1	V2311113	KIT REAR RIM CROSSMAX XL 2015 27,5"
---	----------	-------------------------------------

SPOKES

2	36675101	"10 SPOKES DRIVE SIDE CROSSMAX SLR/ENDURO 650b/27,5"
3	36674901	24 SPOKES FRONT CROSSMAX SLR/ENDURO 650b/27,5" 274mm"

HUB SHELLS

4	N/A	HUB BODY
5	M40076	HUB BEARINGS 17x30x7 6903 x 2
6	35126001	ITS-4 FREEWHEEL BODY + SEAL 2013 (WITHOUT PAWLS)
7	99610701	ITS4 SEAL
8	99610601	ITS4 PAWLS KIT
9	30870401	REAR AXLE KIT ITS4 135mm D6T/DCL 2012
11	30871801	ELASTIC RING 56mm diam.

ADAPTERS

10	30872201	FORK REST ITS-4 135mm REAR AXLE > 2012
----	----------	--



Crossmax XL Pro WTS 27.5

付属品

BX601 rear quick release	
1 bottle of Mavic Sealant	
UST valve and accessories	
Front 15 mm adapters	
Rear QR adapters	
Rear 12x142mm adapters	
Multifunction adjustment wrench	
User guide	

Specifications

リム

- Material : Maxtal
- Drilling : Fore
- Weight reduction : ISM
- Tyre : UST Tubeless and tubetype
- Internal width : 23 mm
- ETRTO size 26" : 559x23C
- ETRTO size 27.5" : 584x23C
- ETRTO size 29" : 622x23C
- ETRTO recommended tyre sizes : 37mm to 76mm (1.5" to 3.0")

スポーク

- Material : Zicral
- Shape : straight pull, bladed
- Nipples : Fore integrated aluminum
- Count : 24 front and rear
- Lacing : front crossed 2, rear Isopulse

ホイールハブ

- Front and rear bodies : aluminum
- Axle material : aluminum
- Adjustable sealed cartridge bearings
- Freewheel : ITS-4 alloy
- Shimano 11 speeds compatible
- Sram XD Compatible (XX1-X01) with optional kit

ホイールの重み

- ホイール重量 (クイックリリースおよびクリンチャー/チューブラーを除く) (g) :
- Weight Rear 26": 870
 - Weight Rear 27.5": 895
 - Weight Rear 29": 930