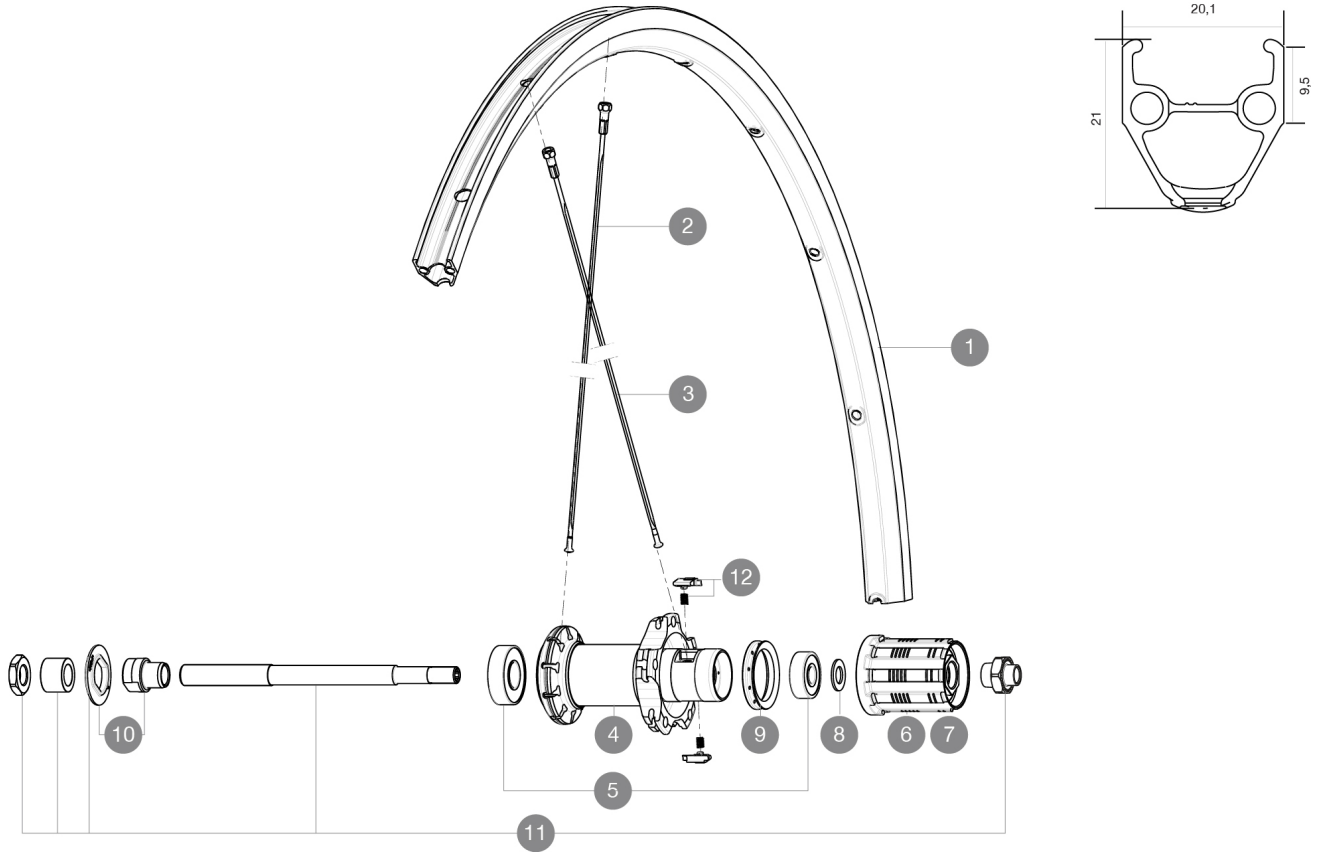


参照ホイール

R78701	Aksium RS SMU Rr M11	R99521	Aksium RS Rr
--------	----------------------	--------	--------------

ASTM CATEGORY 1 : road only
 For a longer longevity of the wheel, Mavic recommends that the total weight supported by the wheels don't exceed 120kg, bike included
 Recommended tyre sizes: 25 to 32 mm
 23mm 8.7 bars - 125 psi, 25mm 7.7 bars - 110 psi



RIMS



2016年7月1日現在、Mavic Aksium RSのリアホイールには、20.1mm幅のリアリムが採用されています。

1	V2403015	KIT FRONT/REAR RIM AKSIUM
---	----------	---------------------------

SPOKES

2	V2272701	FRONT & REAR NON DRIVE SIDE ROUND SPOKE AKSIUM 283mm
3	10845001	FRONT & REAR DRIVE SIDE ROUND SPOKE AKSIUM 298mm


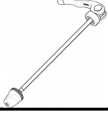
HUB SHELLS

5	M40660	REAR HUB 608+6001 BEARINGS
6	30871101	FTS-L FREEWHEEL BODY HG11 2013 (8 or 9mm axle compatible)
7	30871201	FTS-L FREEWHEEL BODY ED11 2013 (8 or 9mm axle compatible)
8	M40067	10 SPACERS FRW/HUB BODY
9	99500001	FTSL/FTSX FREEHUB BODY SEAL
10	99603801	SHORT EXPENSIBLE BEARING SUPPORTS > 2008
11	99603901	REAR AXLE KSYRIUM EQUIPE 08
12	M40578	FTSL PAWLS KIT (ROAD WHEELS)

MAVIC

Aksium RS

付属品

BR101 quick releases (M40350 frt, M40351 rear road, M40352 rear MTB) 1	
BR101 quick releases (M40350 frt, M40351 rear road, M40352 rear MTB) 1	
Rim tape	
Rim tape	
User guide	
User guide	

COMPATIBILITY

Freewheel: Shimano/Sram, convertible to Campagnolo with optional driver body	
Freewheel: Shimano/Sram, convertible to Campagnolo with optional driver body	
Front axle: Quick Release only	
Front axle: Quick Release only	
Rear axle: Quick Release only	
Rear axle: Quick Release only	

Specifications

リム

- Material : S6000 Aluminum
- Material : S6000 Aluminum
- Height : 21 mm
- Height : 21 mm
- Joint : pinned
- Joint : pinned
- Drilling : traditional with H2 reinforcement
- Drilling : traditional with H2 reinforcement
- Brake track : UB Control
- Brake track : UB Control
- Valve hole diameter : 6.5 mm
- Valve hole diameter : 6.5 mm
- Tyre : clincher
- Tyre : clincher
- Internal width : 15mm
- Internal width : 15mm
- ETRTO size : 622x15C
- ETRTO size : 622x15C

スポーク

- Material : steel
- Material : steel
- Shape : straight pull, round
- Shape : straight pull, round
- ABS
- ABS
- Count : 20 front and rear
- Count : 20 front and rear
- Lacing : radial front and rear non-drive side, crossed 2 rear drive side
- Lacing : radial front and rear non-drive side, crossed 2 rear drive side

ホイールハブ

- Front and rear bodies : aluminum
- Front and rear bodies : aluminum
- Axle material : steel
- Axle material : steel
- Sealed cartridge bearings
- Sealed cartridge bearings
- Freewheel : FTS-L steel
- Freewheel : FTS-L steel

VERSIONS

- Color : Black only
- Color : Black only

ホイールの重み

ホイール重量 (クイックリリースおよびクリンチャー/チューブラーを除く) (g) : 1015