

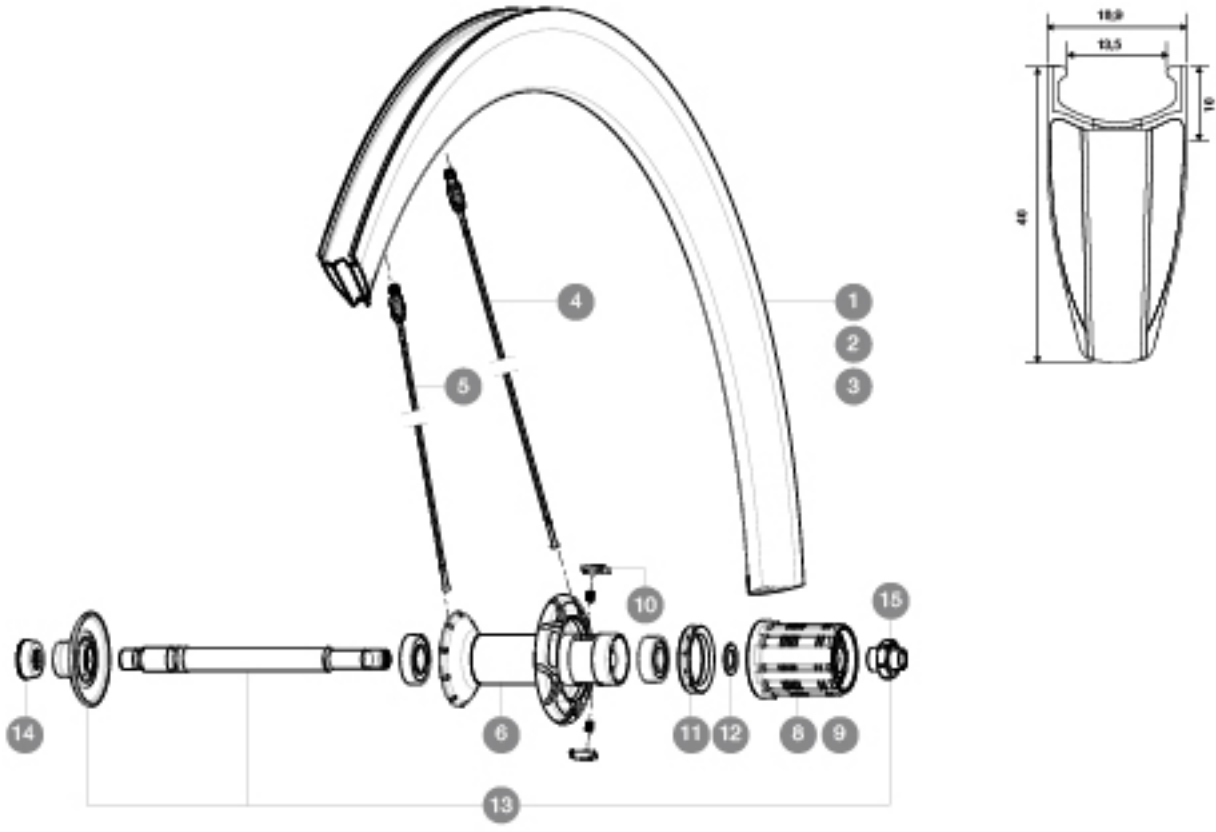


# Cosmic Carbone 40 Elite

### 参照ホイール

R99451	CosCarb40Elite16Rr Black	R99453	CosCarb40Elite16Rr CHROME
R99452	CosCarb40Elite16Rr White		

ASTM CATEGORY 1 : road only  
 For a longer longevity of the wheel, Mavic recommends that the total weight supported by the wheels doesn't exceed 120kg, bike included  
 Recommended tyre sizes: 21 to 28 mm  
 Max. Pressure: 23mm 8.7 bars - 125 psi



### RIMS



バルブ穴径 (MM) : 6.5 :

1	V2400713	REAR RIM CC 40 ELITE WHITE
2	V2400913	REAR RIM CC 40 ELITE BLACK
3	V2404413	REAR RIM CC40 ELITE CHROME

### ADAPTERS

14	35117301	FRONT OR REAR FORK REST KIT R-SYS 2013
----	----------	--

### SPOKES

4	V3664101	KIT 12 DRIVE SIDE STAINLESS SPOKE CC40 C 275mm
4	32978901	KIT 10 AERO DS CC 40 C BLACK SPOKE 275mm - while stock last
5	V3664201	KIT 12 FRT/NDS STAINLESS SPOKE CC40 C 277mm
5	32979001	KIT 10 AERO FT/NDS CC 40 C BLACK SPOKE 277mm - while stock I

### HUB SHELLS

6	N/A	HUB BODY
7	33000001	REAR HUB B9+6901 BEARINGS 2013
8	30871101	FTS-L FREEWHEEL BODY HG11 2013 (8 or 9mm axle compatible)
9	30871201	FTS-L FREEWHEEL BODY ED11 2013 (8 or 9mm axle compatible)
10	M40578	FTSL PAWLS KIT (ROAD WHEELS)
11	99500001	FTSL/FTSX FREEHUB BODY SEAL
12	30872801	SET OF 3 INTERNAL SILVER SPACERS 9mm FTS-L 2013
13	V2250301	KIT REAR AXLE AERO HUB CXR/CC40/CC SLS/CC SLE/COSMIC
15	V2373101	KIT NUT FOR ROAD ALLOY THROUGH AXLE 9mm



# Cosmic Carbone 40 Elite

## 付属品

BR301 quick releases	
Carbon brake pads	
BR301 quick releases	
Carbon brake pads	
Multifunction adjustment wrench	
User guide	
Multifunction adjustment wrench	
User guide	

## Specifications

### リム

- Material : 3K carbon fibers with aluminum cooling system
- Height : 40 mm
- Drilling : co-molded Fore drilled inserts
- Brake track : carbon with TgMAX technology
- Brake track : carbon
- Material : 3K carbon fibers with aluminum cooling system
- Valve hole diameter : 6.5 mm
- Tyre : clincher
- ETRTO size : 622x13C
- Recommended tyre sizes : 21 to 28 mm
- Height : 40 mm
- Drilling : co-molded Fore drilled inserts
- Brake track : carbon with TgMAX technology
- Brake track : carbon
- Valve hole diameter : 6.5 mm
- Tyre : clincher
- ETRTO size : 622x13C

### スポーク

- Material : steel
- Shape : straight pull, bladed, double butted
- Nipples : Fore integrated aluminum
- Count : front 16, rear 20
- Material : steel
- Lacing : radial front and rear non-drive side, crossed 2 rear drive side
- Shape : straight pull, bladed, double butted
- Nipples : Fore integrated aluminum
- Count : front 16, rear 20
- Lacing : radial front and rear non-drive side, crossed 2 rear drive side

### ホイールハブ

- Front and rear bodies : aluminum
- Axle material : aluminum
- Adjustable sealed cartridge bearings
- Freewheel : FTS-L steel
- Front and rear bodies : aluminum
- Axle material : aluminum
- Adjustable sealed cartridge bearings
- Freewheel : FTS-L steel

### ホイールの重み

ホイール重量 ( クイックリリースおよびクリンチャー/チューブラーを除く ) ( g ) : 875