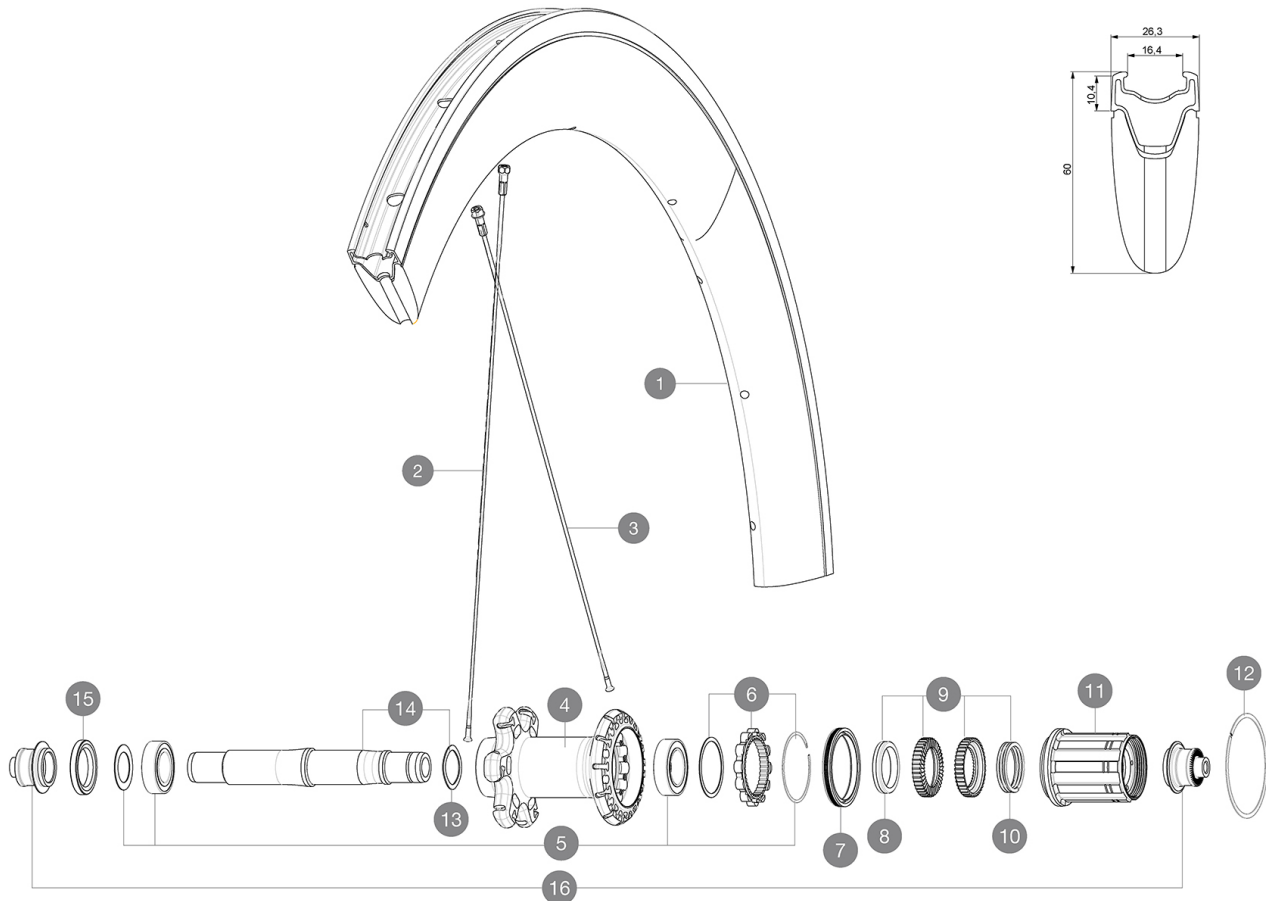


MAVIC CXR Elite

ASTM CATEGORY 1 : road only
 For a longer longevity of the wheel, Mavic recommends that the total weight supported by the wheels don't exceed 120kg, bike included
 Recommended tyre sizes: 23 to 32 mm
 Max. Pressure: 23mm 8.7 bars - 125 psi, 25mm 7.7 bars - 110 psi

参照ホイール

R51202 CXR Elite Rr



RIMS



バルブ穴径 (MM) : 6.5 :

1	V2408213	KIT REAR RIM CXR ELITE UB - until stock last
	V2690201	KIT CARBON RIM TAPE 18x622mm (SPECIAL RIM TAPE)

SPOKES

2	V2275201	KIT 12 REAR NON-DRIVE SIDE & FRONT DISC & REAR DISC side
3	V2275101	RHT 12 REAR DRIVE SIDE UB & DISC BUTTED AERO SPOKES 272mm +

HUB SHELLS

4	N/A	HUB BODY
5	V2560101	KIT ID360 BEARINGS 15/26/7 + 17/28/7
6	V2252701	KIT ID360 INSERT SHAPED EAR LOBE > 2017
7	V2251601	ID360 SEAL + GREASE
8	V2500501	Kit 3 ID360 pad for noise reduction
9	V2251701	ID360 2 RATCHETS + SPRING + GREASE
10	V2251801	KIT 3 ID360 ROAD SPRINGS
11	V3430101	HG11 Freewheel Body ID360
12	V2252201	KIT 2 REAR HUB RETENTION RINGS 48mm
13	V2251501	3 ID360 WAVE WASHERS
14	V2251201	ID360 AXLE UB
15	V2250901	KIT ID360 HUB THREADED CAP for UB model (small)



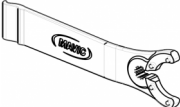
ADAPTERS

16	B4989401	Rear axle adapters 9mm QR
----	----------	---------------------------

MAVIC

CXR Elite

付属品

BR601 quick releases (V24 501 01 frt, V24 502 01 rear) 1	
Valve extender (118 952 01) 1	
Rim tape	
Multifunction adjustment wrench (325 423 01) 1	
User guide	

COMPATIBILITY

Freewheel: Shimano/Sram, convertible to Campagnolo and XD-R with optional driver bodies	
Front axle: Quick Release only	
Rear axle: Quick Release only	

Specifications

リム

- Material : Mxstal alloy with Blackcell flange
- Height : 60 mm
- Drilling : traditional
- Brake track : UB Control
- Valve hole diameter : 6.5 mm
- Tyre : clincher
- Internal width : 16 mm
- ETRTO size : 622x16C

スポーク

- Material : steel
- Shape : straight pull, bladed, double butted
- Nipples : aluminum, ABS
- Count : front 18, rear 24
- Lacing : front radial, rear Isopulse

ホイールハブ

- Front and rear bodies : aluminum
- Axle material : aluminum
- Sealed cartridge bearings
- Freewheel : Instant Drive 360

ホイールの重み

ホイール重量 (クイックリリースおよびクリンチャー/チューブラーを除く) (g) : 1005