

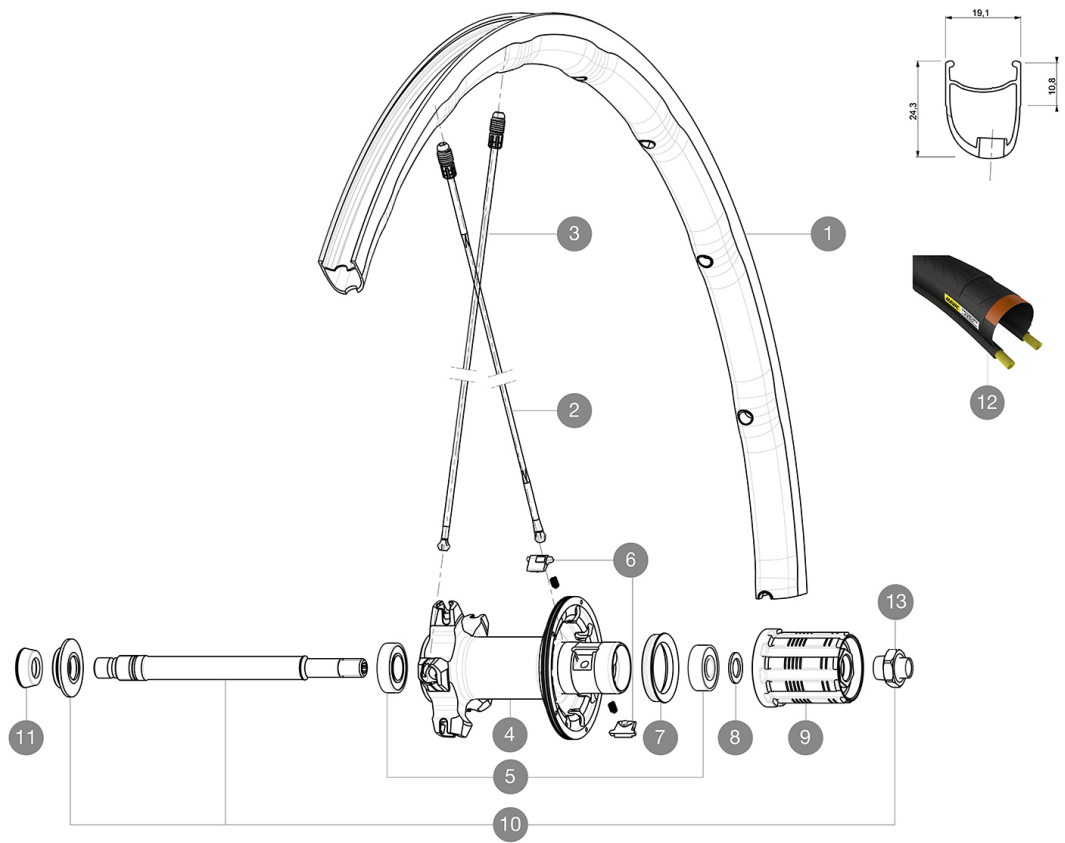


Ksyrium Pro Exalith

参照ホイール

R89101 KsyriumProExalith17 Rr

ASTM CATEGORY 2 : road and offroad with jumps less than 15cm
 For a longer longevity of the wheel, Mavic recommends that the total weight supported by the wheels don't exceed 120kg, bike included
 Recommended tyre sizes: 25 to 32 mm
 23mm 8.7 bars - 125 psi, 25mm 7.7 bars - 110 psi
 Max. Pressure: 25mm 7.7 bars - 110 PSI



RIMS



&NBSP;:

1	V2405613	KIT REAR RIM KSYRIUM PRO EXALITH
---	----------	----------------------------------

SPOKES

2	V2270501	SPOKES KIT DRIVE SIDE KSYRIUM PRO DISC
3	10844701	10 SILV.R-SYS SL TUB.ZICRAL BUTT.REAR SPK.298mm

HUB SHELLS

4	N/A	HUB BODY
5	33000001	REAR HUB B9+6901 BEARINGS 2013
6	M40578	FTSL PAWLS KIT (ROAD WHEELS)
7	99500001	FTSL/FTSX FREEHUB BODY SEAL
8	30872801	SET OF 3 INTERNAL SILVER SPACERS 9mm FTS-L 2013
9	30871201	FTS-L FREEWHEEL BODY ED11 2013 (8 or 9mm axle compatible)
9	30871101	FTS-L FREEWHEEL BODY HG11 2013 (8 or 9mm axle compatible)
10	V2250501	Axle Kit Ksyrium Elite / SLS
13	V2373101	KIT NUT FOR ROAD ALLOY THROUGH AXLE 9mm

TYRES

12	37805525	Yksion Pro PowerLink White 25
----	----------	-------------------------------

ADAPTERS

11	35117301	FRONT OR REAR FORK REST KIT R-SYS 2013
----	----------	--

MAVIC Ksyrium Pro Exalith

付属品

BR601 quick releases (V24 501 01 frt, V24 502 01 rear) 1	
BR601 quick releases (V24 501 01 frt, V24 502 01 rear) 1	
BR601 quick releases (V24 501 01 frt, V24 502 01 rear) 1	
BR601 quick releases (V24 501 01 frt, V24 502 01 rear) 1	
Exalith brake pads (V24 703 01 Shimano/Sram, V24 704 01 Campagnolo) 1	
Exalith brake pads (V24 703 01 Shimano/Sram, V24 704 01 Campagnolo) 1	
Exalith brake pads (V24 703 01 Shimano/Sram, V24 704 01 Campagnolo) 1	
Exalith brake pads (V24 703 01 Shimano/Sram, V24 704 01 Campagnolo) 1	
Multifunction adjustment wrench (325 423 01) 1	
Multifunction adjustment wrench (325 423 01) 1	
Multifunction adjustment wrench (325 423 01) 1	
Multifunction adjustment wrench (325 423 01) 1	
User guide	
User guide	
User guide	
User guide	

COMPATIBILITY

Freewheel: Shimano/Sram, convertible to Campagnolo with optional driver body	
Freewheel: Shimano/Sram, convertible to Campagnolo with optional driver body	
Freewheel: Shimano/Sram, convertible to Campagnolo with optional driver body	
Freewheel: Shimano/Sram, convertible to Campagnolo with optional driver body	
Front axle: Quick Release only	
Front axle: Quick Release only	
Front axle: Quick Release only	
Front axle: Quick Release only	
Rear axle: Quick Release only	
Rear axle: Quick Release only	
Rear axle: Quick Release only	
Rear axle: Quick Release only	

Specifications

リム

- Material : Mxstal
- Material : Mxstal
- Material : Mxstal
- Material : Mxstal
- Height : front 24mm, rear 26 asymmetrical
- Height : front 24mm, rear 26 asymmetrical

ホイールハブ

- Rear body : aluminum
- Rear body : aluminum
- Rear body : aluminum
- Rear body : aluminum
- Front body : carbon with aluminum flanges
- Front body : carbon with aluminum flanges

ホイールの重み

ホイール重量 (クイックリリースおよびクリンチャー/チューブラーを除く) (g) : 845