

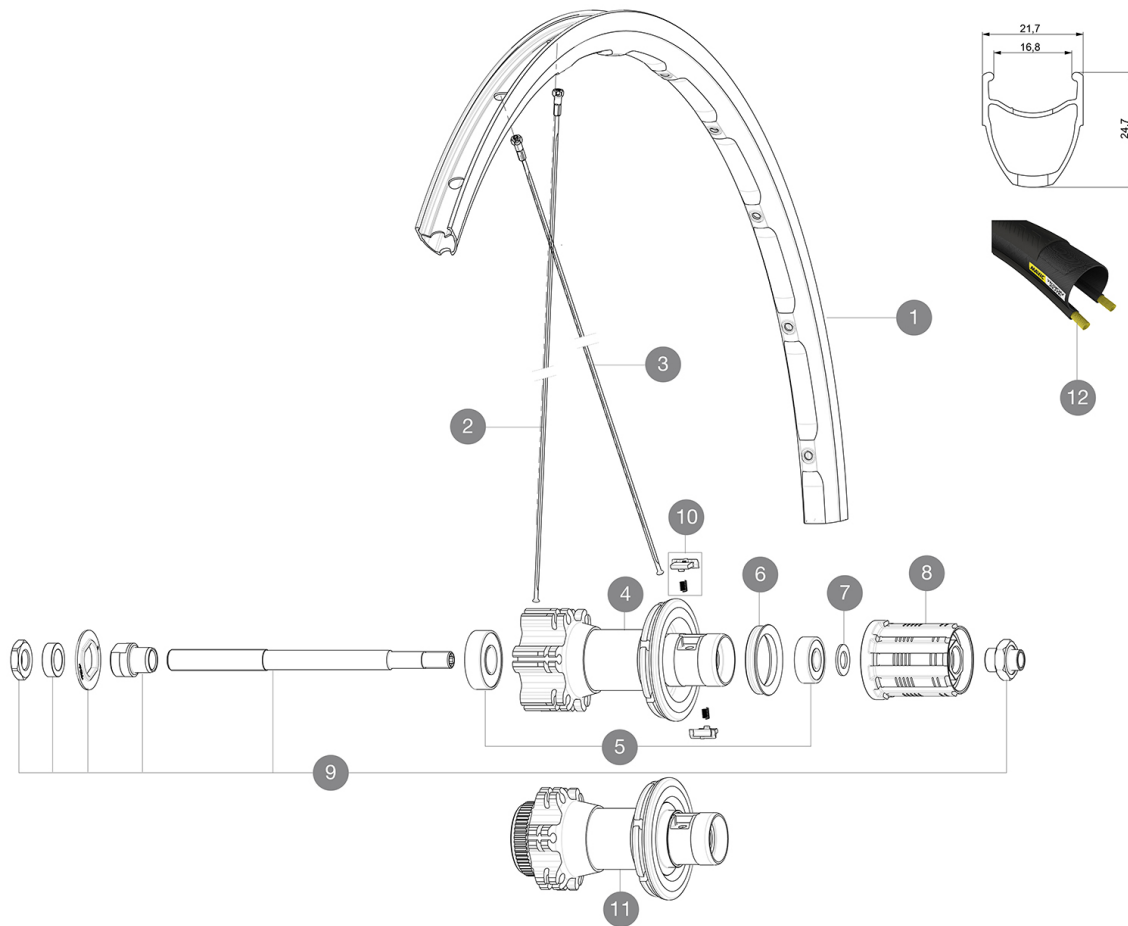
MAVIC Ksyrium Disc

ASTM CATEGORY 2 : road and offroad with jumps less than 15cm
 For a longer longevity of the wheel, Mavic recommends that the total weight supported by the wheels don't exceed 120kg, bike included
 Recommended tyre sizes: 25 to 32 mm
 Max. Pressure: 25mm 7.7 bars - 110 PSI

参照ホイール

R93901 Ksyrium D6B 17 Rr QRx135

R94001 Ksyrium DCL 17 Rr QRx135



RIMS



&NBSP;:

1	V2409315	KIT FRONT & REAR RIM KSYRIUM DISC 17C
---	----------	---------------------------------------

SPOKES

2	V2275501	KIT 12 FT KSYRIUM D/NDS KSY D 9 SPK 292mm
3	V2275601	KIT 12 DS KSYRIUM DISC 9mm SPK 289mm

HUB SHELLS

5	M40660	REAR HUB 608+6001 BEARINGS
6	99500001	FTSL/FTSX FREEHUB BODY SEAL
7	M40067	10 SPACERS FRW/HUB BODY
8	30871101	FTS-L FREEWHEEL BODY HG11 2013 (8 or 9mm axle compatible)
9	32348001	DISC REAR AXLE XLAND/XMAX ENDU
10	32430301	FTSX MTB PAWLS KIT
11	N/A	HUB BODY


TYRES

12	37805725	Yksion Elite 25
----	----------	-----------------

MAVIC

Ksyrium Disc

付属品

BR101 quick releases (M40350 frt, M40351 rear road, M40352 rear MTB) 1	
Rim tape	
User guide	

COMPATIBILITY

Freewheel: Shimano/Sram, convertible to Campagnolo with optional driver body	
Front axle: Quick Release only	
Rear axle: Quick Release only	

Specifications

リム

- Material : S6000 Aluminum
 - Height : 24 mm
 - Joint : SUP
 - Drilling : traditional with H2 reinforcement
- Disc brake specific profile
- Weight reduction : ISM
 - Valve hole diameter : 6.5 mm
 - Tyre : clincher
 - Internal width : 17 mm
 - ETRTO size : 622x17C

スポーク

- Material : steel
- Shape : straight pull, bladed
- Nipples : steel, ABS
- Count : 24 front and rear
- Lacing : front and rear crossed 2

ホイールハブ

- Front and rear bodies : aluminum
 - Axle material : steel
- Sealed cartridge bearings
- Freewheel : FTS-L steel

VERSIONS

- Color : Black only
- Disc standard : 6 Bolts or Center Lock(R)

ホイールの重み

ホイール重量 (クイックリリース
スおよびクリンチャー/チュー
ブラーを除く) (g) : 1010