

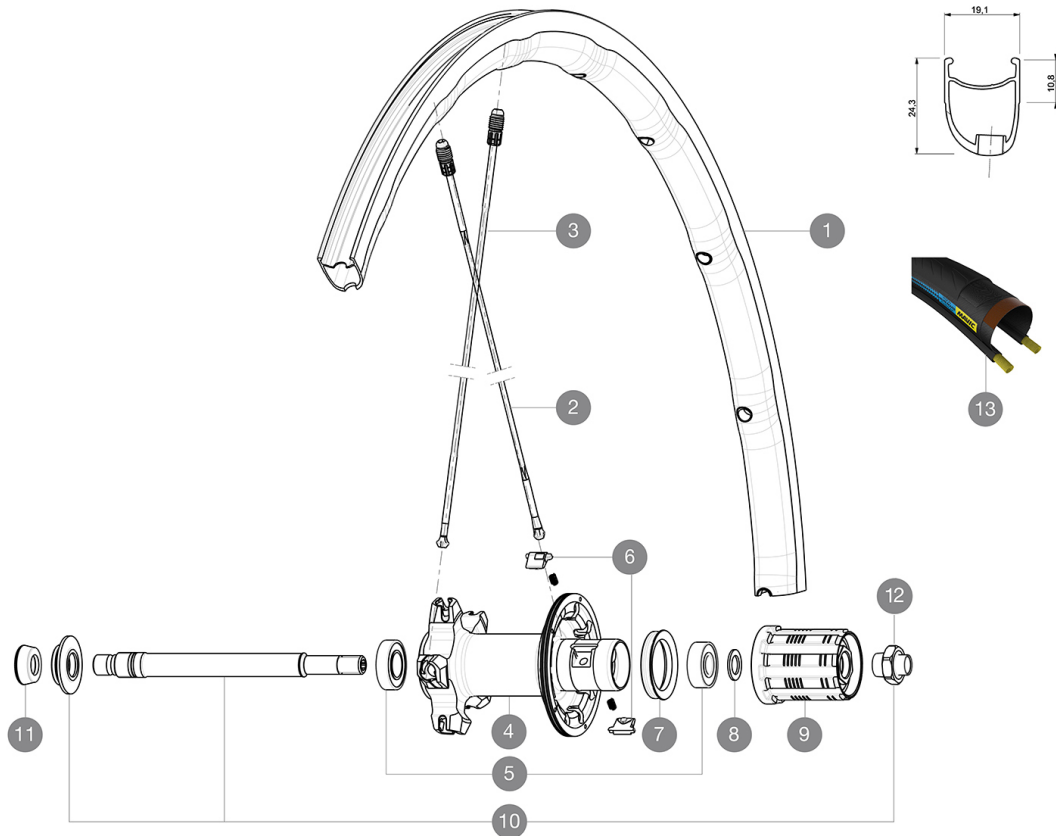


Ksyrium Pro Exalith HR

参照ホイール

R98381 KsyriumProExalith HR Rr

ASTM CATEGORY 2 : road and offroad with jumps less than 15cm
For a longer longevity of the wheel, Mavic recommends that the total weight supported by the wheels don't exceed 120kg, bike included
Recommended tyre sizes: 25 to 32 mm
Max. Pressure: 25mm 7.7 bars - 110 PSI



RIMS



バルブ穴径 (MM) : 6.5 :

1	V2409713	KIT REAR RIM KSYRIUM PRO EXALITH HAUTE ROUTE
---	----------	--

SPOKES

2	V2274801	KIT 1 FT 282.5/1 DS 273.5 SPK KSY PRO EXAL HR - while stock
2	V2270501	SPOKES KIT DRIVE SIDE KSYRIUM PRO DISC
3	10844701	10 SILV.R-SYS SL TUB.ZICRAL BUTT.REAR SPK.298mm

HUB SHELLS

4	N/A	HUB BODY
5	33000001	REAR HUB B9+6901 BEARINGS 2013
6	M40578	FTSL PAWLS KIT (ROAD WHEELS)
7	99500001	FTSL/FTSX FREEHUB BODY SEAL
8	30872801	SET OF 3 INTERNAL SILVER SPACERS 9mm FTS-L 2013
9	30871201	FTS-L FREEWHEEL BODY ED11 2013 (8 or 9mm axle compatible)
9	30871101	FTS-L FREEWHEEL BODY HG11 2013 (8 or 9mm axle compatible)
10	V2250501	Axle Kit Ksyrium Elite / SLS
12	V2373101	KIT NUT FOR ROAD ALLOY THROUGH AXLE 9mm

TYRES

13	39436025	Yksion Pro PowerLink HR
----	----------	-------------------------



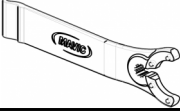

ADAPTERS

11	35117301	FRONT OR REAR FORK REST KIT R-SYS 2013
----	----------	--

MAVIC

Ksyrium Pro Exalith HR

付属品

BR601 quick releases (V24 501 01 frt, V24 502 01 rear) 1	
Exalith brake pads (V24 703 01 Shimano/Sram, V24 704 01 Campagnolo) 1	
Multifonction adjustment wrench (325 423 01) 1	
Wheelbag (V24 801 01) 1	
User guide	

COMPATIBILITY

Freewheel: Shimano/Sram, convertible to Campagnolo with optional driver body	
Front axle: Quick Release only	
Rear axle: Quick Release only	

Specifications

リム

- Material : Mxstal
- Height : front 24mm, rear 26 asymmetrical
- Joint : SUP
- Drilling : Fore
- Brake track : Exalith 2
- Weight reduction : ISM 4D
- Valve hole diameter : 6.5 mm
- Tyre : clincher
- Internal width : 17 mm
- ETRTO size : 622x17C

スポーク

- Material : Zicral
- Shape : straight pull, bladed, front double butted
- Nipples : Fore integrated aluminum
- Count : front 18, rear 20
- Lacing : front radial, rear Isopulse

ホイールハブ

- Rear body : aluminum
- Front body : carbon with aluminum flanges
- Axle material : aluminum
- Adjustable sealed cartridge bearings
- Freewheel : FTS-L steel

VERSIONS

- Color : Black only

ホイールの重み

ホイール重量 (クイックリリースおよびクリンチャー/チューブラーを除く) (g) :