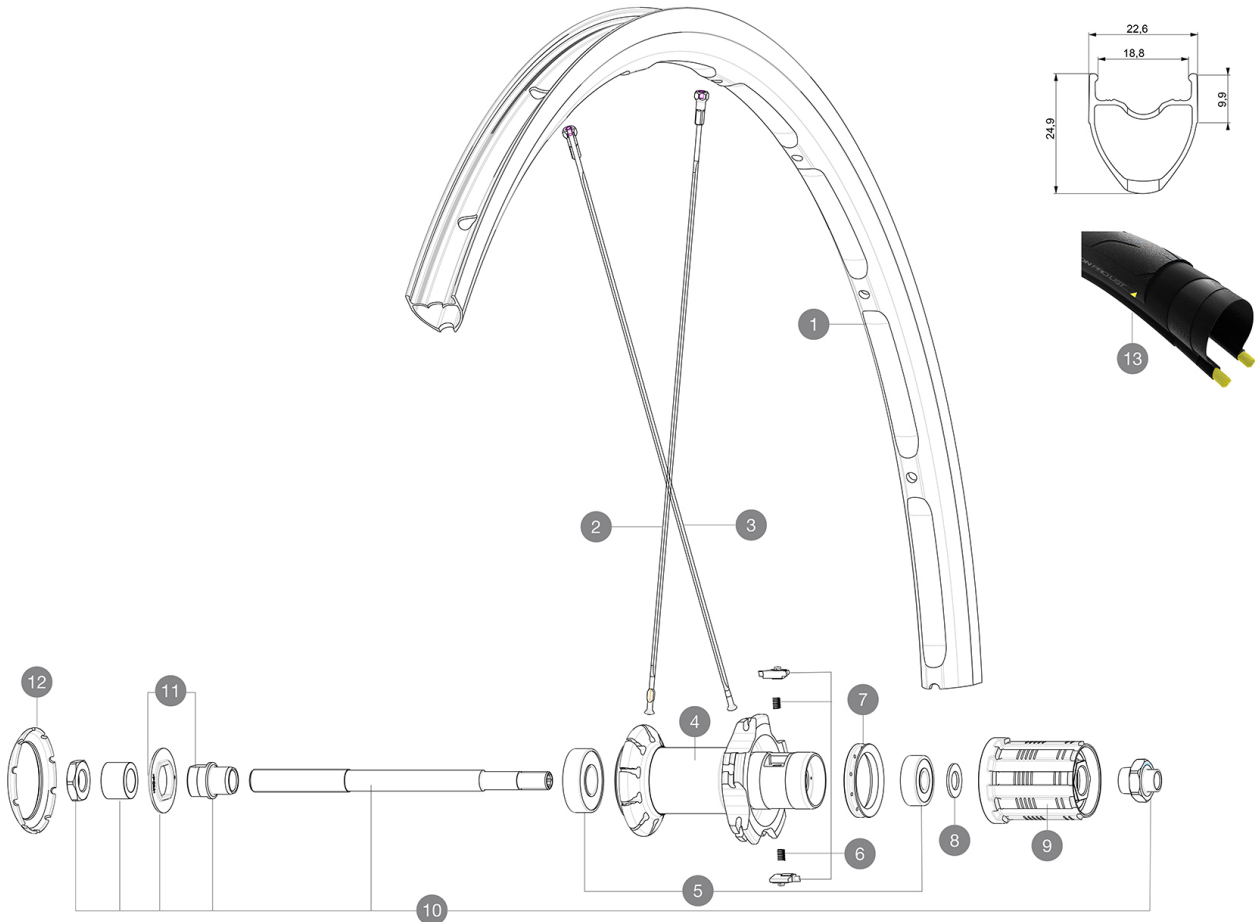


# MAVIC Ksyrium UST

## 参照ホイール

R34141 Ksyrium UST 20 Rr

ASTM A2106 1 : 120  
120  
25  
32mm  
2



## RIMS



&NBSP;:

1	V4080413	KIT REAR RIM KSYRIUM UST 19/20
	V3720101	25mm UST Tape for 19 to 22mm Road Rims

## SPOKES


2	V3664701	KIT 10 FRT/NDS AKSIUM ELITE UST FLAT SPOKE 282mm + nipple
3	V3664801	KIT 10 DS AKSIUM ELITE UST/KSYRIUM UST FLAT BUTTED SPOKE 297

## HUB SHELLS

4	N/A	HUB BODY
5	M40660	REAR HUB 608+6001 BEARINGS
6	M40578	FTSL PAWLS KIT (ROAD WHEELS)
7	99500001	FTSL/FTSX FREEHUB BODY SEAL
8	30872801	SET OF 3 INTERNAL SILVER SPACERS 9mm FTS-L 2013
9	30871101	FTS-L FREEWHEEL BODY HG11 2013 (8 or 9mm axle compatible)
10	99603901	REAR AXLE KSYRIUM EQUIPE 08
11	99603801	SHORT EXPENSIBLE BEARING SUPPORTS > 2008
12	12034401	KIT 3 HUB CAPS AERO 10 SLOTS BLACK

# MAVIC Ksyrium UST

## 付属品

MAVIC (L35546600)	
BR101 M40350A M40351A M40352A	
UST (L12983800)	

## COMPATIBILITY


## Specifications

### リム

- 25mm
- SUP
- UBA
- ISM
- 6.5mm
- UST
- 19mm
- ETRTO 622x19TC

### スポーク

- ABS
- 18
- 20
- 2

### ホイールハブ

- QRM
- FTS-L

### VERSIONS

- 

### ホイールの重み

895