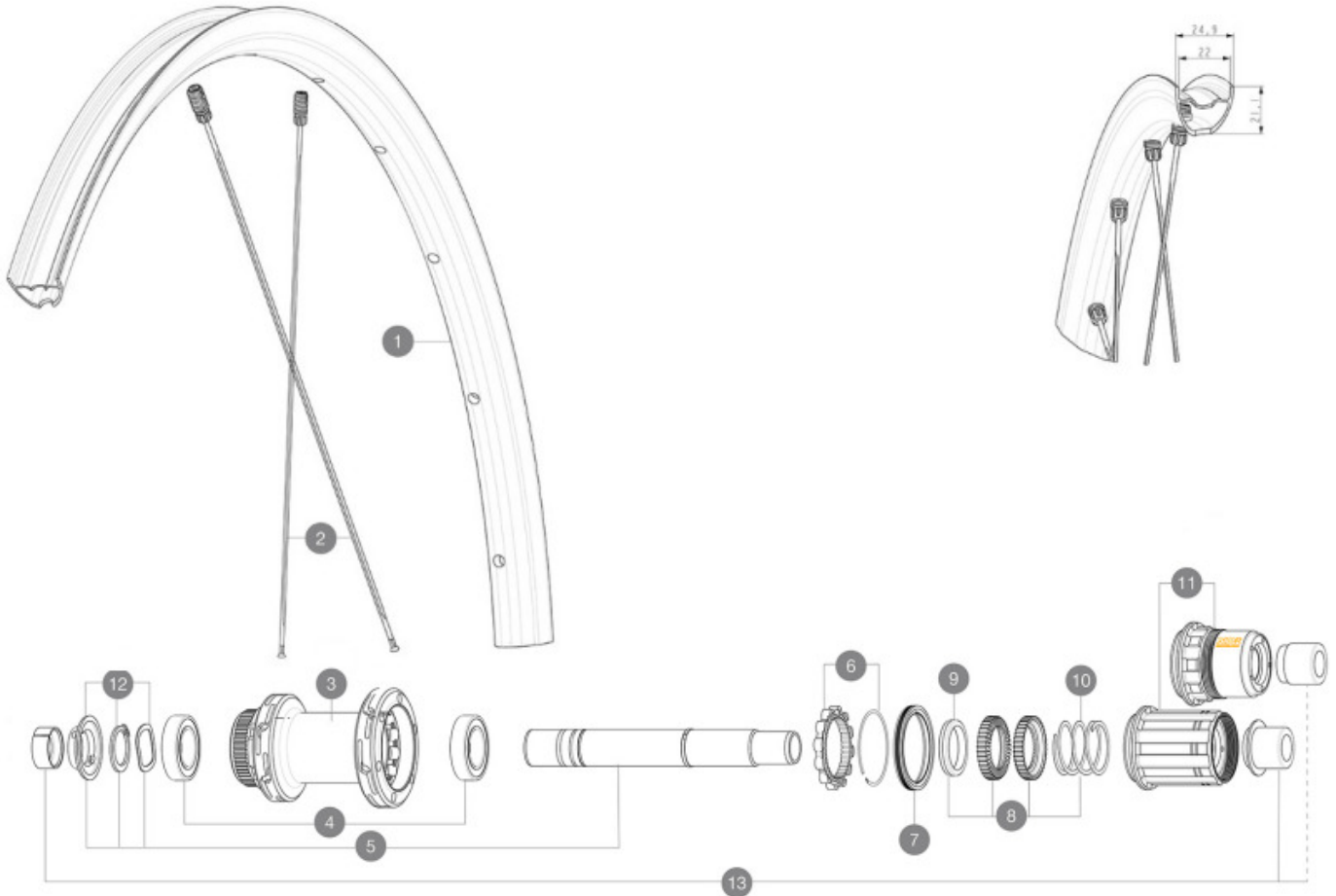


MAVIC ALLROAD S DISC

参照ホイール

R36751 ALLROAD S CL 700 12X142 M11 R38891 ALLROAD S CL 700 12X142 XDR

ASTM A2106 2 : 15 120 28 64 mm (1.1" 2.5")
Maximum tyre pressure: 4.6bar/67PSI with a 28mm tyre - 32.7bar/39PSI with a 64mm tyre



RIMS



&NBSP;:

1	V4092115	Kit Front/Rear rim Allroad S while stock lasts
1	V00097531	Kit Front/Rear rim Allroad S 23

SPOKES

2	V4162601	Kit 12 Front/Rear Allroad S flat spoke 298 M7/7
---	----------	---

HUB SHELLS

3	N/A	HUB BODY
3	N/A	HUB BODY
4	M40076	HUB BEARINGS 17x30x7 6903 x 2
5	V2373401	KIT ID360 135/142 DCL L1 AXLE WITH CLIP
6	V2252701	KIT ID360 INSERT SHAPED EAR LOBE > 2017
7	V00063631	Kit ID360 seal version 2 (larger)
8	V2251701	ID360 2 RATCHETS + SPRING + GREASE
9	V2500501	Kit 3 ID360 pad for noise reduction
10	V2251801	KIT 3 ID360 ROAD SPRINGS
11	V2580101	FREEHUB BODY XD Road ID360
11	V3430101	HG11 Freewheel Body ID360
12	V2373001	KIT ADJUST. SYSTEM QRM AUTO ID360 for 17x30x7 bearing

OPTIONS

V2510801	ID360 EVO REAR AXLE ADAPTERS 9x135mm DCL & D6T
V2510901	ID360 EVO REAR AXLE ADAPTERS 12x135mm DCL & D6T

ADAPTERS

13	V3811001	KIT ROAD ID360 RR CL ENDCAP (12MM)
----	----------	------------------------------------

付属品

Table with 2 columns and 7 rows listing accessories like UST (129 838 01), axle nuts (325 423 01), and various caps for 12mm and 15mm axles.

COMPATIBILITY

Table with 2 columns and 8 rows detailing compatibility with Shimano 12mm and 15mm disc brake systems, including axle specifications and hub compatibility.

Specifications

リム

List of specifications for the rim, including axle spacing (12mm, 15mm) and hub compatibility (Infinity Hub).

ホイールハブ

Specifications for the wheel hub, detailing axle dimensions and compatibility with Shimano disc brake systems.

ホイールの重み

935