



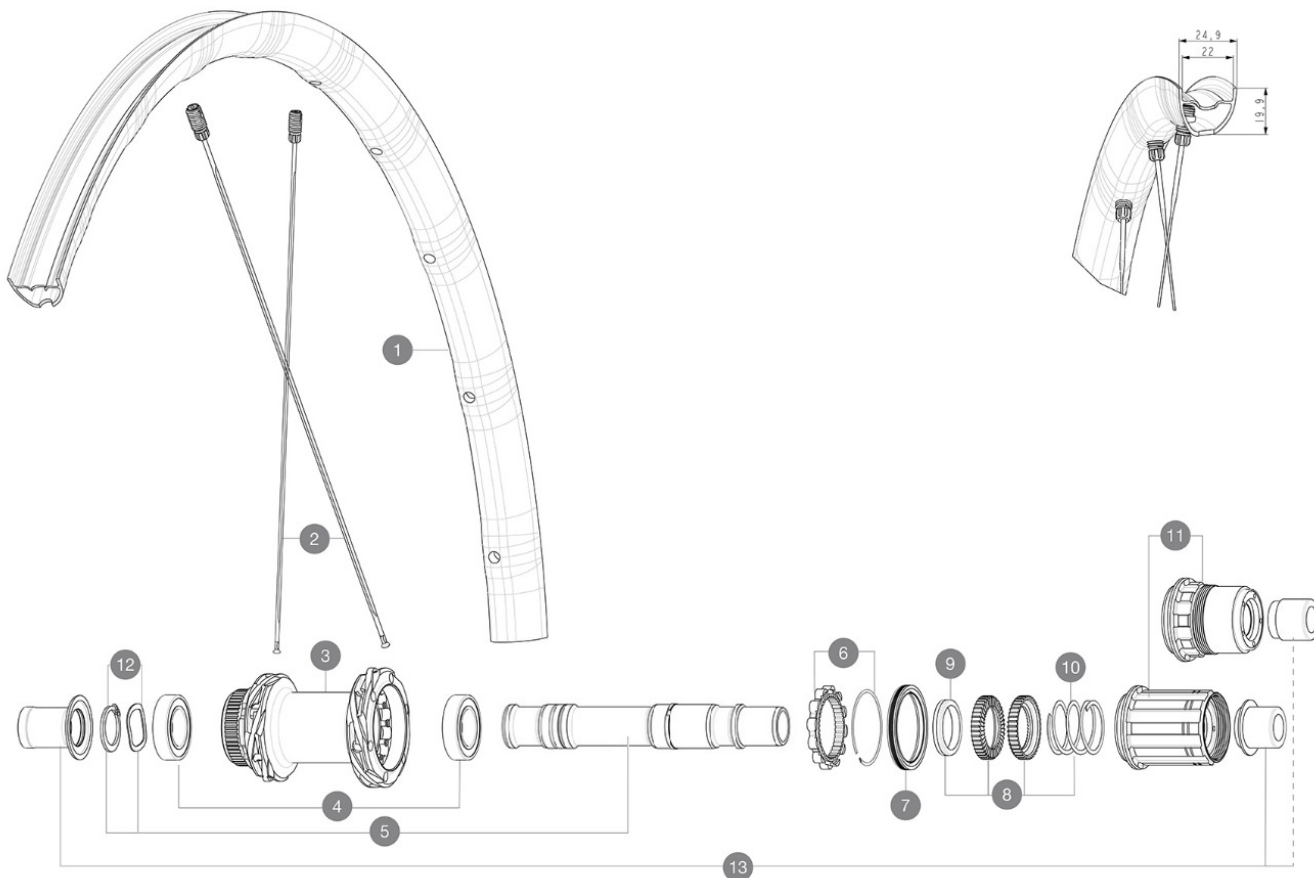
# ALLROAD SL DISC

## 参照ホイール

R36881 ALL SL CL 700 12X142 M11

R39131 ALL SL CL 700 12X142 XDR

ASTM A2106 2 : 15 120 28 64 mm (1.1" 2.5")  
 Maximum tyre pressure: 4.6bar/67PSI with a 28mm tyre - 32.7bar/39PSI with a 64mm tyre



### RIMS



&NBSP;:

1	V00097431	Kit Front/Rear rim Allroad SL 23
1	V4092015	Kit Front/Rear rim Allroad SL while stock lasts

### SPOKES

2	V4162501	Kit 12 Front/Rear Allroad SL aero spoke 298 M7/7
---	----------	--

### HUB SHELLS

3	N/A	HUB BODY
3	N/A	HUB BODY
4	M40076	HUB BEARINGS 17x30x7 6903 x 2
5	V00046431	KIT AXE ID360 142LIGHT CL+CIR
6	V2252701	KIT ID360 INSERT SHAPED EAR LOBE > 2017
7	V00063631	Kit ID360 seal version 2 (larger)
8	V2251701	ID360 2 RATCHETS + SPRING + GREASE
9	V2500501	Kit 3 ID360 pad for noise reduction
10	V2251801	KIT 3 ID360 ROAD SPRINGS
11	V3430101	HG11 Freewheel Body ID360
11	V2580101	FREEHUB BODY XD Road ID360
12	V2373001	KIT ADJUST. SYSTEM QRM AUTO ID360 for 17x30x7 bearing

### OPTIONS

V2510801	ID360 EVO REAR AXLE ADAPTERS 9x135mm DCL & D6T
V2510901	ID360 EVO REAR AXLE ADAPTERS 12x135mm DCL & D6T
V2373401	KIT ID360 135/142 DCL L1 AXLE WITH CLIP
V2510701	ID360 EVO REAR AXLE ADAPTERS 12x142mm DCL & D6T

### ADAPTERS

13	V3811001	KIT ROAD ID360 RR CL ENDCAP (12MM)
----	----------	------------------------------------

付属品

Table with 2 columns and 6 rows listing accessories such as UST tires (129 838 01) and axle caps (325 423 01).

COMPATIBILITY

Table detailing compatibility for various components like tires (12mm, 15mm, 18mm) and hubs (Infinity Hub) across different models.

Specifications

リム

- List of rim specifications including sizes (22mm, 4D) and models (UST, TRT, ISM).

ホイールハブ

- List of hub specifications including sizes (12mm, 142mm) and models (Infinity Hub).

ホイールの重み

850