

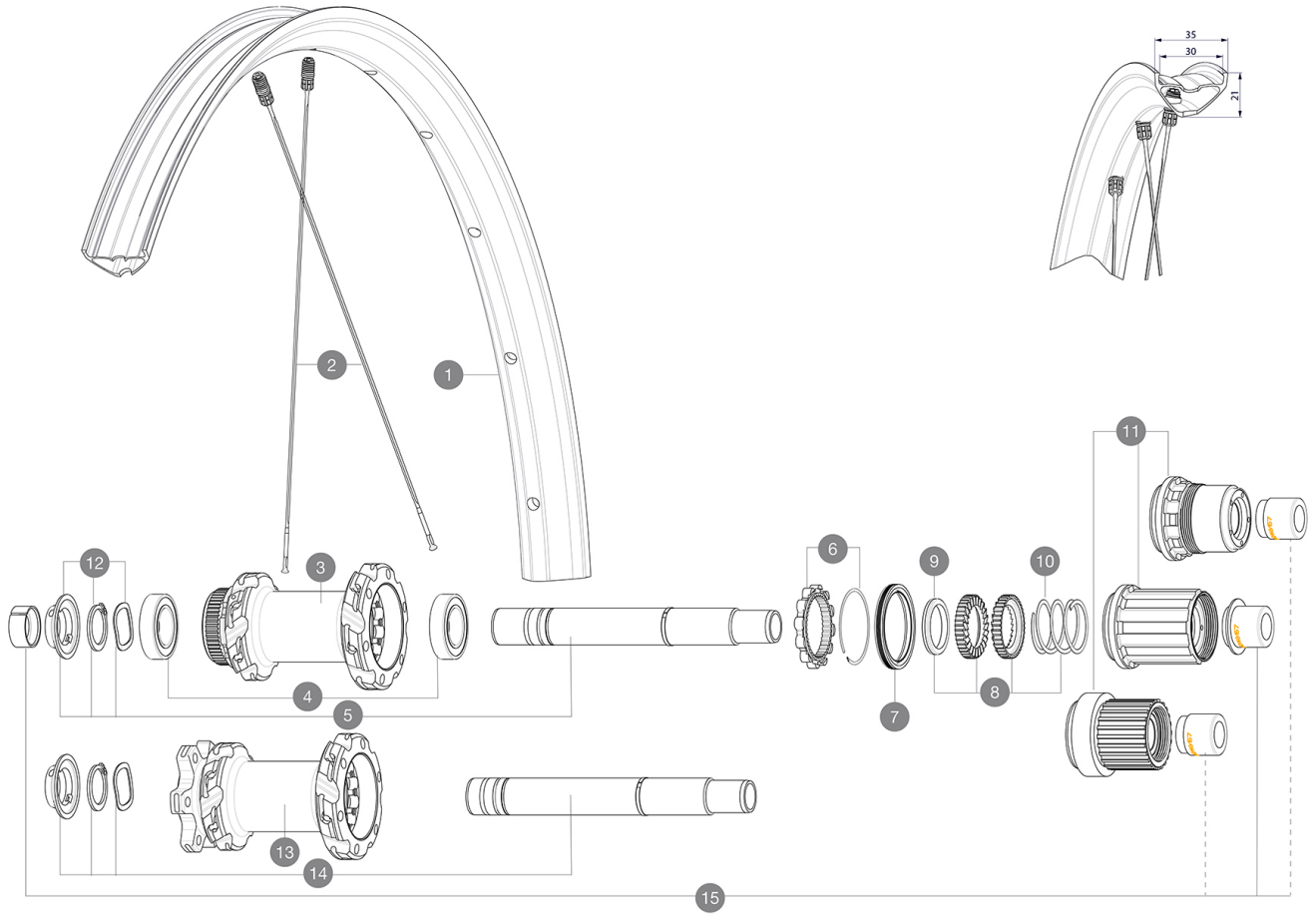


# CROSSMAX XL 29

ASTM A 4 : 150  
Maximum tyre pressure: 2.95bar/43PSI with a 52mm tyre  
æ 52mm-  
æ 2.95Bar/43PSI  
â 12â 9mm â 12â 9mm [V2510801] -  
â 12â 9mm

## 参照ホイール

R37112	XMAX XL INT 29 BST HG	R39182	XMAX XL CL 29 BST MS
R37792	XMAX XL INT 29 BST XD		



### RIMS



&NBSP;:

1	V3766015	Kit Front/Rear rim Crossmax XL 29" MY21
---	----------	---

### SPOKES

2	V2388301	Kit 12 Front/Rear Crossmax SL/SLS/XL/XLS 29" butted spoke 2
---	----------	---

### HUB SHELLS

3	N/A	HUB BODY
4	M40076	HUB BEARINGS 17x30x7 6903 x 2
5	V2375701	Kit ID360 148 DCL axle with circlip
6	V2252701	KIT ID360 INSERT SHAPED EAR LOBE > 2017
7	V00063631	Kit ID360 seal version 2 (larger)
8	V2375201	KIT ID360 24 TEETH 2 RATCHET + MTB SPRING + PAD (specific)
9	V2375401	KIT ID360 MTB 24T 3 NOISE REDUCING PADS
10	V2372901	KIT 3 ID360 MTB SPRINGS
11	V3780101	HG9 Alloy MTB Freewheel Body ID360
11	V3740101	XD MTB Freewheel Body ID360
11	V3990101	MicroSpline MTB Freewheel Body ID360

12	V2373001	KIT ADJUST. SYSTEM QRM AUTO ID360 for 17x30x7 bearing
13	N/A	HUB BODY
14	V2372201	KIT ID360 148 D6T AXLE WITH CLIP

### OPTIONS

V2372801	KIT ID360 2x40 TEETH RATCHETS + MTB SPRING + GREASE + PAD
----------	---

### ADAPTERS

15	V2510701	ID360 EVO REAR AXLE ADAPTERS 12x142mm DCL & D6T
	V2510801	ID360 EVO REAR AXLE ADAPTERS 9x135mm DCL & D6T

