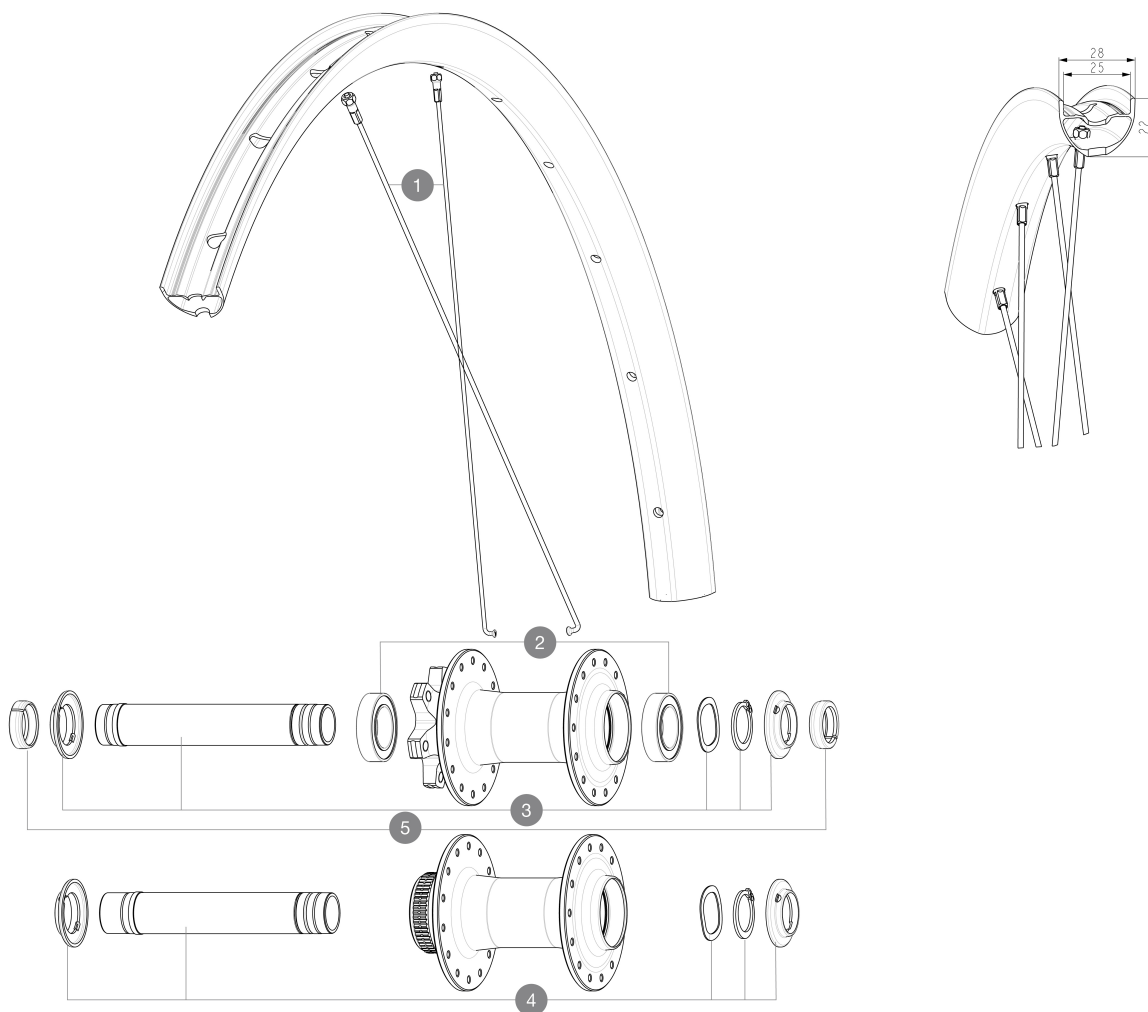


ASTM CATEGORY 3 : CROSS COUNTRY

For a longer longevity of the wheel, Mavic recommends that the total weight supported by the wheels doesn't exceed 150kg, bike included

REFERENCES WHEELS



SPOKES

1	V00062331	Kit 14 ft/rr Jbent bk rd spk 298 29"+np
---	-----------	-----------------------------------------

HUB SHELLS

2	V2500901	KIT BEARINGS 18x30x7 + WAVED WASHER + CLIP
3	V2372401	KIT 110mm AXLE QRM AUTO MTB > 2019
4	V2375601	Kit 110mm axle QRM auto MTB from 2019 DCL

OPTIONS

V2374401	TORQUE CAPS 15*31 Adapter MTB QRM Auto > 2019 Frt HUB
----------	-------------------------------------------------------

ADAPTERS

5	V2372501	15mm MTB Axle Cap QRM Auto From 2019
	99694101	ADAPTER Ft 15 to 9mm QR

MAVIC CROSSRIDE 1 29 25MM

2023
FRONT

DELIVERED WITH

Rim tape	
User guide	

COMPATIBILITY

Freewheel body: convertible SHIMANO HG MTB steel (kit V3790101 sold separately)	
Front axle: convertible from 15mm thru axle to Quick Release with included adapters	
Rear axle: 12mm thru axle, convertible to Quick Release with adapters (delivered with non-boost wheel)	

Specifications

RIMS

- **Material** : S6000 Aluminum
- **Height** : 22 mm
- **Joint** : sleeved
- **Internal width** : 30 mm
- **Drilling** : traditional (front/rear 28 holes)
Disc brake specific profile
- E-Bike specific rim profile
- **ETRTO size 29"** : 622x25TSS
- **Tire** : clincher

SPOKES

- **Material** : steel
 - **Count** : 20 front and rear
- R2R carbon spoke technology

WHEEL HUB

- **Body** : aluminum
- **Disc standard** : 6 Bolts or Center Lock[®]
- **Axle material** : aluminum
- **Rear body** : aluminum
- **Axles** : Front 15X110 (Boost) or 15x100 ; Rear 12X148 (Boost) or 12x142
- **Freewheel** : Shimano HG MTB / Shimano MS / Sram XD MTB
- **Freewheel** : FTS-L steel

WHEEL WEIGHTS