

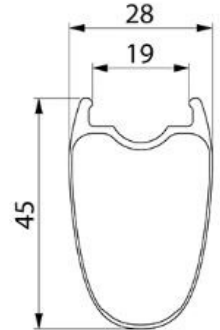
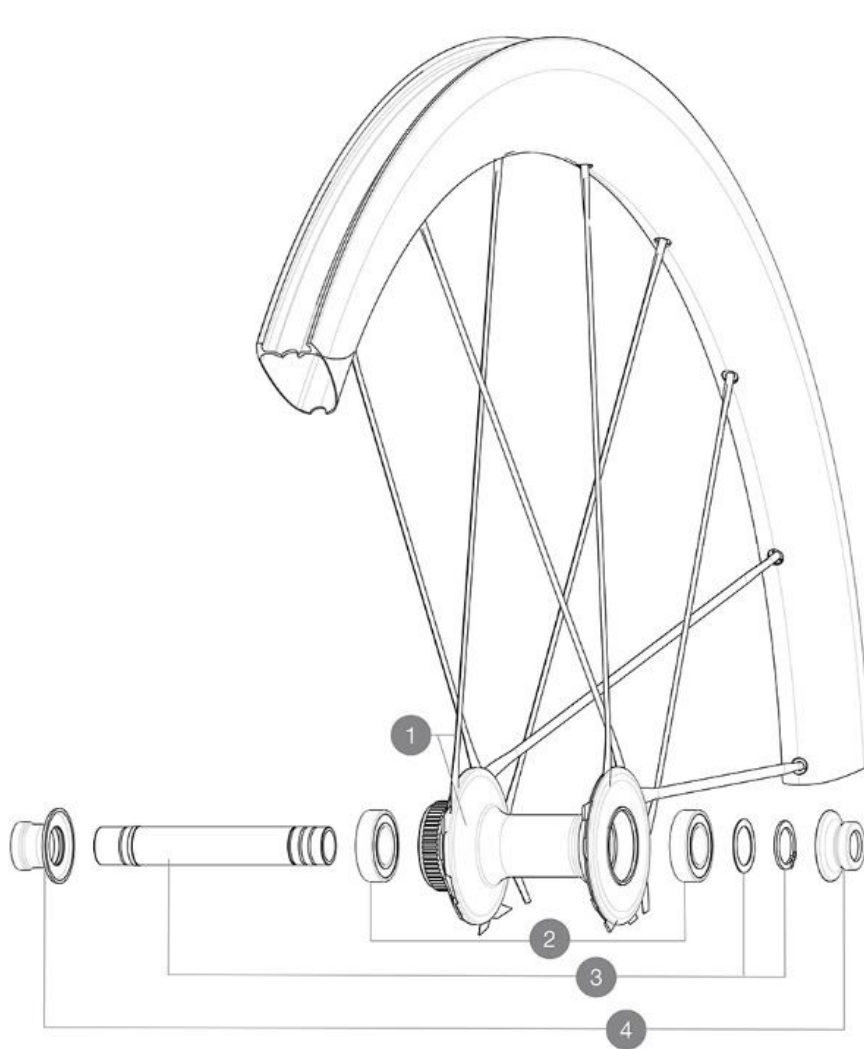
MAVIC **COMIC ULTIMATE 45 DISC BG****REFERENCES WHEELS**

ASTM CATEGORY 2 : road and offroad with jumps less than 15cm

Maximum tyre pressure: 4.4bar/64PSI with a 28mm tyre - 2.6bar/38PSI with a 64mm tyre

For a longer longevity of the wheel, Mavic recommends that the total weight supported by the wheels doesn't exceed 120kg, bike included

Maximum tyre size: width 62mm - pressure max. 3.8Bar/55PSI



Specifications	Maxi target
Frontal run out	0,5mm
Lateral run out	0,5mm
Centring	1,0mm (2x0,5)

HUB SHELLS

- 2** V2373301 KIT QRM AUTO FRONT AXLE 12mm > 2019
- 3** M40129 KIT 2 BEARINGS 6902 15x28x7

ADAPTERS

- 4** V2374701 KIT FRONT ROAD FORK REST 12mm FOR J BENT DISC HUB

MAVIC COMIC ULTIMATE 45 DISC BG

2024
FRONT

DELIVERED WITH

Mavic tyre sealant (rear wheel) (355 466 01)	
UST valve and accessories (129 838 01)	
Wheelbag (V24 801 01)	
User guide	

COMPATIBILITY

Freewheel body: convertible SRAM XD road (kit V2580101 sold separately)	
Freewheel body: convertible SHIMANO HG light road (kit V3850101 sold separately)	
Freewheel body: convertible SHIMANO MS (kit V3990101 sold separately)	
Freewheel body: convertible CAMPAGNOLO ED (kit V3440101 sold separately)	
Freewheel body: convertible CAMPAGNOLO N3W (kit V4270101 sold separately)	
FTS-L Shimano / Sram freewheel body ([30871101] - Delivered on the wheel)	
ID360 Sram XD freewheel body (V3740101)	
Rear axle: for fixing nuts only (included), M9x1 thread	
ID360 Shimano Micro Spline alloy freewheel body (V3990101)	

Specifications

RIMS

- **Material** : 100% carbon fiber with UD² external layer
- **Height** : 45 mm
- **Internal width** : 19 mm
- **Drilling** : co-molded Fore drilled inserts
Disc brake specific profile
- **ETRTO size** : 622x19TC
- **Tire** : UST Tubeless and tubetype

SPOKES

- **Material** : unidirectional carbon fiber
 - **Nipples** : steel, ABS
- R2R carbon spoke technology

WHEEL HUB

- **Front and rear bodies** : Carbon
- **Disc standard** : Center Lock[®] only
- **Axle material** : aluminum
- **Axle size** : front 12x100 / rear 12x142 -
Convertible to quick release with included adapters
- **Axles** : Front 15x110 (Boost) or 15x100 ; Rear 12x148 (Boost) or 12x142
- **Freewheel** : Shimano HG road
- **Freewheel** : FTS-L steel

WHEEL WEIGHTS