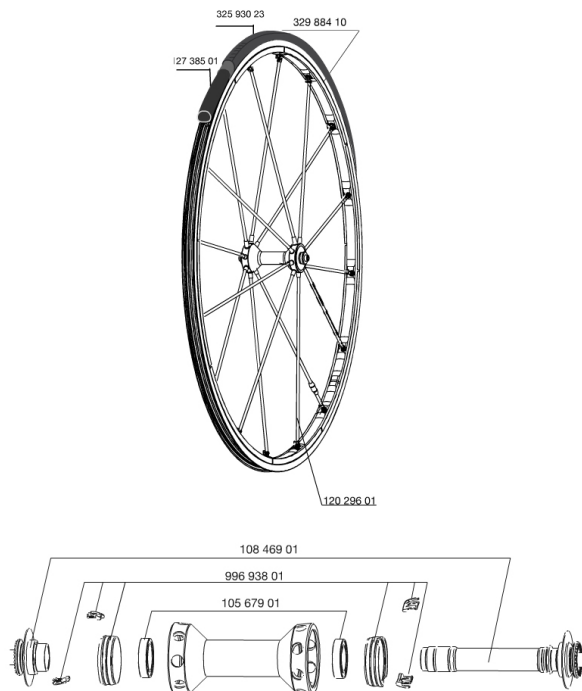


REFERENCES WHEELS

325667 R-SYS SLR 013 FRT WTS



RIMS



&NBSP;;

32988410 KIT FRONT R-SYS SLR CLINCHER 2013 ISM3D RIM

SPOKES

12029601 KIT 9 FT R-SYS SLR CLINC/TUB BLK SPK 285mm
99693801 2 SILVER TRACOMP RINGS + CLIPS

HUB SHELLS

10846901 FRONT AXLE KIT R-SYS SL/SLR
10567901 FRONT HUB QRM SL BEARINGS 15x24x5 6802

MAINTENANCE

12738501 Road Innertube Presta 48mm

TYRES

32593023 YksionProSSCGripLink 23

MAVIC R-Sys SLR C

DELIVERED WITH

BR601 quick releases	
BR601 quick releases	
Wheelbags	
Wheelbags	
Computer magnet (front wheel)	
Computer magnet (front wheel)	
Multifonction adjustment wrench	
Multifonction adjustment wrench	
Tracomp ring tool	
Tracomp ring tool	
User guide	
User guide	

Specifications

RIMS

- **Material** : Maxtal
- **Material** : Maxtal
- **Color** : Exalith
- **Height** : front 22 mm, rear 25 mm asymmetrical
- **Joint** : SUP
- **Height** : front 22 mm, rear 25 mm asymmetrical
- **Joint** : SUP
- **Drilling** : Fore
- **Brake track** : Exalith 2
- **Drilling** : Fore
- **Weight reduction** : ISM 3D
- **Brake track** : Exalith 2
- **Valve hole diameter** : 6.5 mm
- **Tyre** : clincher or tubular
- **Weight reduction** : ISM 3D
- **Valve hole diameter** : 6.5 mm
- **Tyre** : clincher or tubular
- **ETRTO size** : 622x15C
- **ETRTO size** : 622x15C
- **Recommended tyre sizes** : 19 to 32 mm
- **Recommended tyre sizes** : 19 to 32 mm

WHEEL HUB

- **Front and rear bodies** : aluminum
- **Front and rear bodies** : aluminum
- **Color** : black
- **Front and rear axle material** : aluminum QRM SL
- **Front and rear axle material** : aluminum FTS-L steel
- **Front and rear axle material** : aluminum QRM SL
- **Front and rear axle material** : aluminum FTS-L steel

WHEEL WEIGHTS

Wheel weight 555

SPOKES

Download date: 2024-07-16 / Update date: 2022-03-01

- **Material** : carbon fiber (front and rear non drive side) and Zircal (rear drive side)