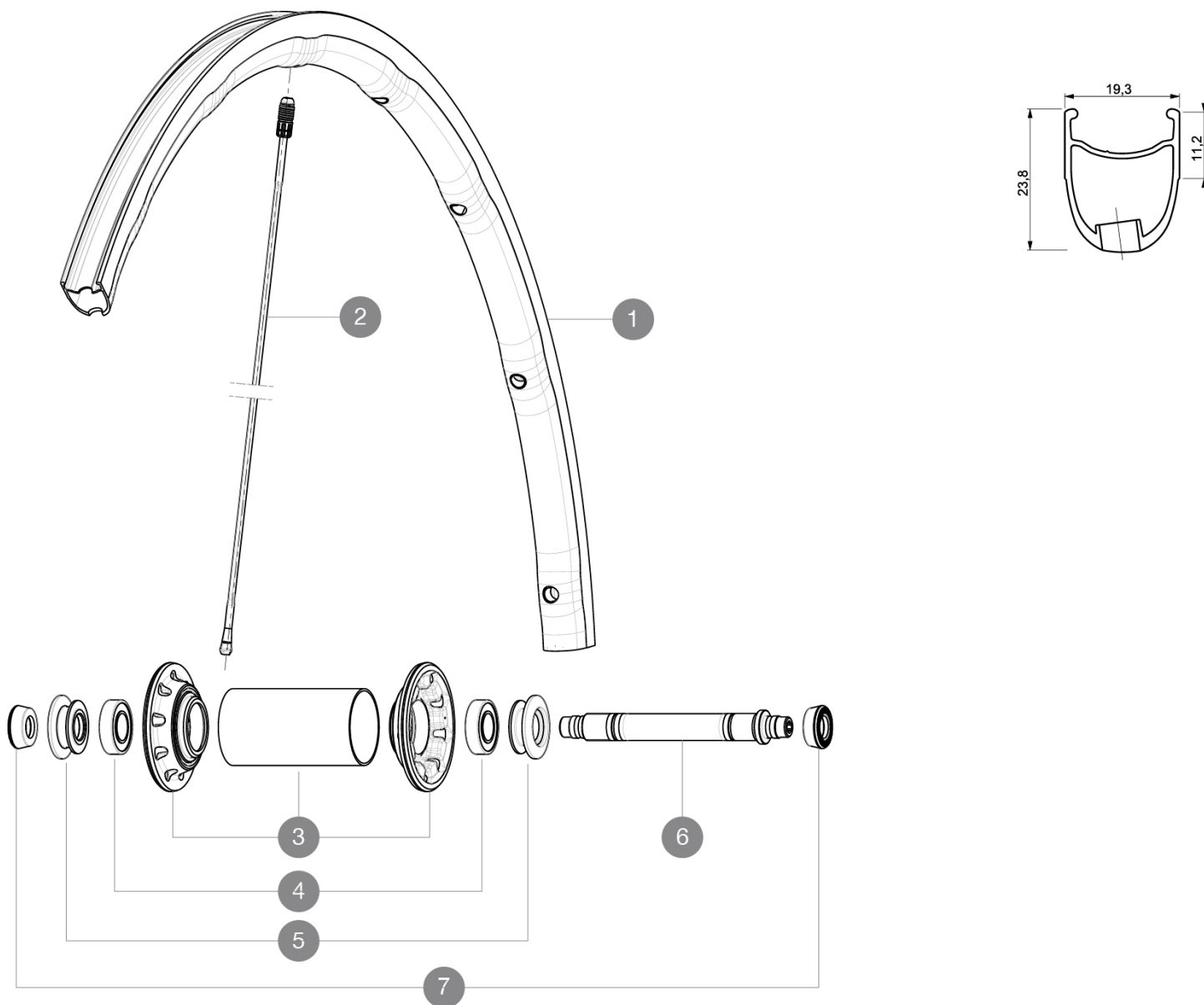


## REFERENCES WHEELS

F18501 Ksyrium SLR 15 Ft



### RIMS



VALVE HOLE  $\bar{A}$  (MM): 6.5 :

1 V2290110 KIT FRONT RIM KSYRIUM PRO SL EXALITH (SLR 15)

### SPOKES

2 V2270601 KIT 9 FT KSY SLR/K125/PRO EXA SPK 282,5mm

### HUB SHELLS

3 N/A HUB BODY  
4 M40078 FRONT HUB BEARINGS 6901 x 2  
5 M40759 ADJUSTING BEARING NUT + FRONT CAP  
6 32999801 FRONT AXLE KIT R-SYS/KSYRIUM SL/SLS 2013

### ADAPTERS

7 35117301 FT/RR FORK REST R-SYS/CC ULTIMATE > 2013/KSY PRO CARB T

**MAVIC** *Ksyrium SLR***DELIVERED WITH**

BR601 quick releases	
Wheelbags	
Exalith brake pads	
Computer magnet (front wheel)	
Multifonction adjustment wrench	
User guide	

**Specifications****RIMS**

- **Material** : Maxtal
- **Height** : front 24mm, rear 26 asymmetrical
- **Joint** : SUP
- **Drilling** : Fore
- **Brake track** : Exalith 2
- **Weight reduction** : ISM4D
- **Valve hole diameter** : 6.5 mm
- **Tyre** : clincher
- **ETRTO size** : 622x15C
- **Recommended tyre sizes** : 19 to 32 mm

**SPOKES**

- **Material** : front and rear drive side Zicral, Rear non drive side carbon fiber
- **Shape** : front and rear drive side straight pull bladed double butted, rear non drive side Tracomp
- **Nipples** : Fore integrated aluminum
- **Count** : front 18, rear 20
- **Lacing** : radial front and rear non-drive side, crossed 2 rear drive side

**WHEEL HUB**

- **Front body** : carbon with aluminum flanges
  - **Rear body** : aluminum
  - **Axle material** : aluminum
- Adjustable sealed cartridge bearings
- **Freewheel** : FTS-L steel

**WHEEL WEIGHTS**

Wheel weight 605