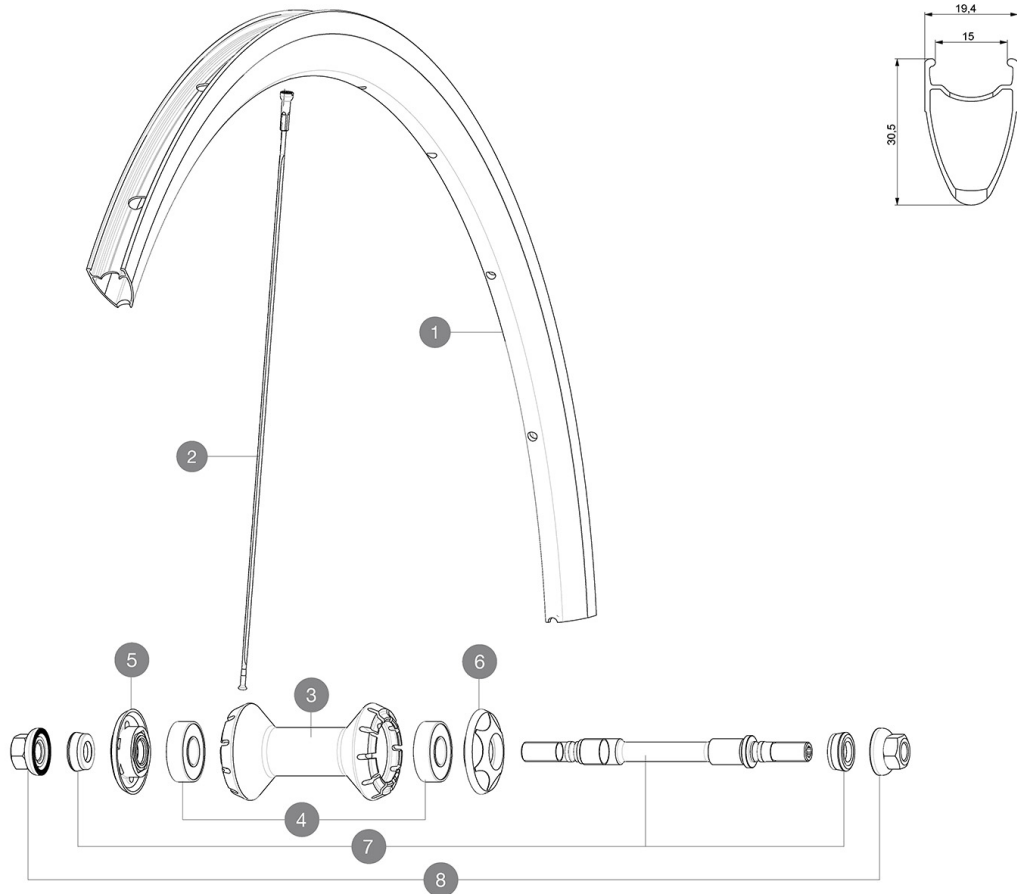


ASTM CATEGORY 1 : road only
 Maximum tyre pressure: 4.6bar/67PSI with a 28mm tyre - 32.7bar/39PSI with a 64mm tyre
 Recommended weight limit : 120kg
 Maximum tyre pressure: 8.4bar/121PSI with a 23mm tyre - 7.85bar/114PSI with a 32mm tyre
 Recommended tyre sizes: 21 to 28 mm
 Max. Pressure: see indication on wheel and tyre. If they differ, use the lower of the 2
 Max. Pressure: 23mm 8.7 bars - 125 psi
 Maximum tyre size: width 32mm - pressure max. 8Bar/115PSI
 Minimum cog width : 7.5mm
 Minimum cog width : 7.5mm

REFERENCES WHEELS

F32501 ELLIPSE RB 700



RIMS



&NBSP;:

1	12033415	KIT FRONT/REAR ELLIPSE 11 RIM
	V2690201	KIT CARBON RIM TAPE 18x622mm - FOR CARBON RIM

SPOKES

2	12033701	KIT 10 FRONT ELLIPSE 11 BLACK SPOKE 279mm
---	----------	---

HUB SHELLS

3	N/A	HUB BODY
4	M40318	KIT 2 HUB BEARINGS 6001
5	M40242	AXLE CAP + ADJUSTING NUT
6	M40243	AXLE CAP
7	32386101	ELLIPSE FRONT AXLE + FORK SUPPORTS
8	32388601	2 AXLE BOLTS RR COMETE TRACK/ELLIPSE FT-RR M9

MAVIC ELLIPSE

DELIVERED WITH

Fixing nuts	
User guide	
Rim tape	
Valve extender	
Tyre sealant syringe	
Cog lock nut	
Fixing nuts	
Fixing nuts	
Fixing nuts	
Fixing nuts	
Fixing nuts	
Fixing nuts	
Fixing nuts	
Fixing nuts	
Multifonction adjustment wrench	
User guide	
Valve extender	
Valve extender	
Rim tape	
Rim tape	

COMPATIBILITY

Freewheel: fixed cog only, flip-flop hub (one cog possible on each hub side)	
Freewheel: fixed cog only, flip-flop hub (one cog possible on each hub side). Cog thread: 1,37x24TPI. Lock ring thread: left thread M33x1	
Freewheel: fixed cog only, flip-flop hub (one cog possible on each hub side). Cog thread: 1,37x24TPI. Lock ring thread: left thread M33x1	
Freewheel: fixed cog only, flip-flop hub (one cog possible on each hub side). Cog thread: 1,37x24TPI. Lock ring thread: left thread M33x1	
Front axle: for fixing nuts only (included), M10x1 thread	
Front axle: for fixing nuts only (included), M10x1 thread	
Front axle: for fixing nuts only (included), M10x1 thread	
Rear axle: for fixing nuts only (included), M10x1 thread	
Rear axle: for fixing nuts only (included), M10x1 thread	
Rear axle: for fixing nuts only (included), M10x1 thread	
Rear axle: for fixing nuts only (included), M10x1 thread	
FTS-L Campagnolo freewheel body ([30871201])	
Rear axle: 12mm thru axle, convertible to Quick Release with adapters (delivered with non-boost wheel)	
FTS-L Shimano / Sram freewheel body ([30871101] - Delivered on the wheel)	